

---

**INSTALLATION INSTRUCTIONS  
BRIVA™ DISHWASHER**

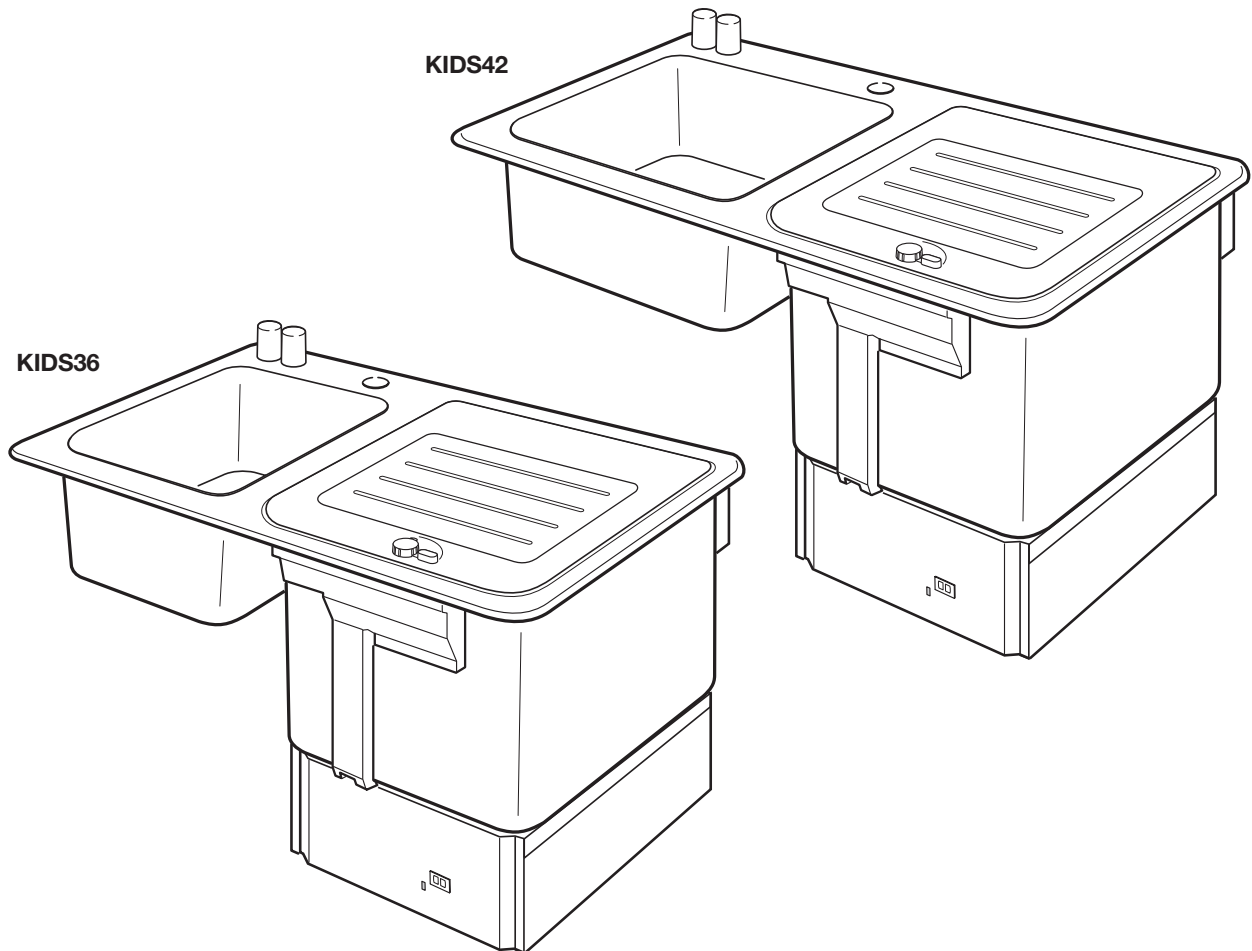
---

**INSTRUCCIONES DE INSTALACIÓN  
LAVAVAJILLAS BRIVA™**

---

**INSTRUCTIONS D'INSTALLATION  
LAVE-VAISSELLE BRIVA™**

---



# TABLE OF CONTENTS

<b>DISHWASHER SAFETY</b> .....	.2	<b>INSTALLATION INSTRUCTIONS</b> .....	.7
<b>INSTALLATION REQUIREMENTS</b> .....	.3	Prepare Dishwasher .....	.7
Tools and Parts .....	.2	Install Dishwasher .....	.7
Location Requirements .....	.3	Make Electrical Connection .....	.7
Drain Requirements .....	.6	Connect Water Supply .....	.9
Water Supply Requirements .....	.6	Complete Installation .....	.9
Electrical Requirements .....	.6		

## DISHWASHER SAFETY

### Your safety and the safety of others are very important.

We have provided many important safety messages in this manual and on your appliance. Always read and obey all safety messages.



This is the safety alert symbol.

This symbol alerts you to potential hazards that can kill or hurt you and others.

All safety messages will follow the safety alert symbol and either the word "DANGER" or "WARNING."

These words mean:

**! DANGER**

You can be killed or seriously injured if you don't immediately follow instructions.

**! WARNING**

You can be killed or seriously injured if you don't follow instructions.

All safety messages will tell you what the potential hazard is, tell you how to reduce the chance of injury, and tell you what can happen if the instructions are not followed.

- This dishwasher is manufactured for indoor use only.
- Observe all governing codes and ordinances.
- Install this dishwasher as specified in these instructions.
- Installation should be performed by a qualified service technician. The dishwasher must be installed to meet all electrical and plumbing national and local codes and ordinances.

---

# INSTALLATION REQUIREMENTS

---

## Tools and Parts

Gather the required tools and parts before starting installation. Read and follow the safety instructions provided with any tools listed here. Additional tools may be required to cut countertop and install drain lines.

### Tools needed:

- Utility knife
- 5/8" open-end wrench
- 7/16" deep well socket
- small tubing cutter
- tape measure
- flat bladed screwdriver
- plumber's putty
- 10" adjustable wrench that opens to 1-1/8" (2.9 cm)
- Teflon® tape or pipe joint compound
- 1 cartridge silicone caulk and caulk gun
- sink strainer locknut wrench

### Parts needed:

- Copper tubing with compression fitting for water fill line (3/8" is recommended). Length needed is determined by specific installation requirements.
- Copper tubing with compression fittings for faucet connection. Length and diameter needed are determined by specific faucet installation requirements.
- faucet
- 2, 1-1/2" drain P traps
- 3-1/2" sink strainer
- 90° elbow with 3/8" N.P.T. external threads on one end. (The other end must fit your water supply line.)

In addition, if direct wiring:

- 1/4" hex nut driver
- 2, twist-on connectors of proper size to connect house wiring to 16-gauge dishwasher wiring.
- CSA-certified, U.L.- or C.-U.L. listed conduit connector to fit 7/8" (2.2 cm) hole

### Parts supplied:

- Undercounter clamp brackets – adjustable for countertops 3/4" (1.9 cm) to 1-1/2" (3.8 cm) thick
- cutting board

## Location Requirements

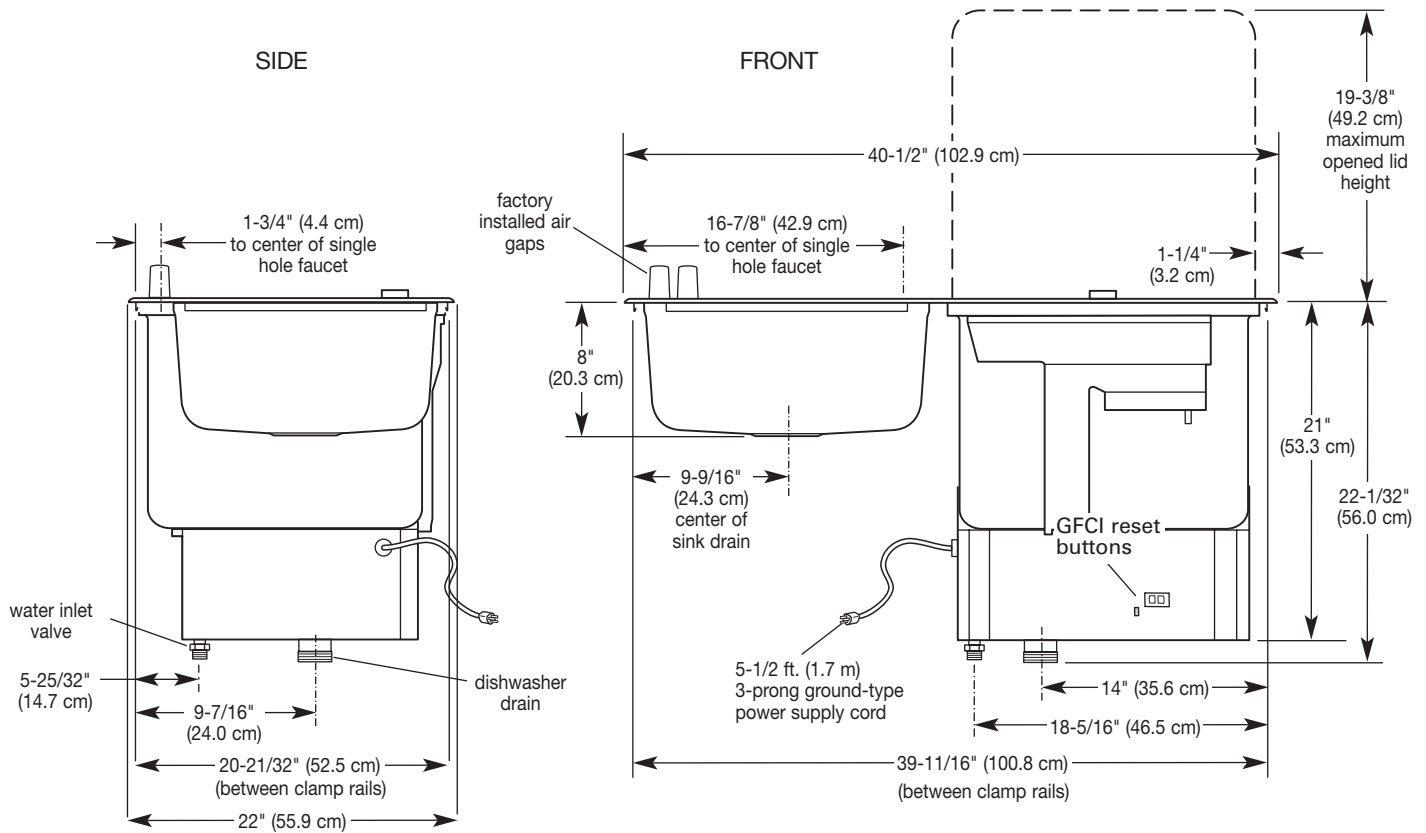
Protect dishwasher and water lines leading to dishwasher against freezing. Damage from freezing is not covered by the warranty.

If dishwasher will be left unused for a period of time or in a location where it may be subject to freezing, have it winterized by authorized service personnel.

The dishwasher is shipped ready for installation of a one-hole faucet. If a two-, three-, or four-hole faucet is to be installed, the holes must be added by a qualified plumber, according to the faucet manufacturer's specifications.

If the hot water accessory tank, Part No. 4396282 will be used, the tank should be installed first. It may be difficult to install the drain line to the T&P valve on the hot water accessory tank, if it is not installed first.

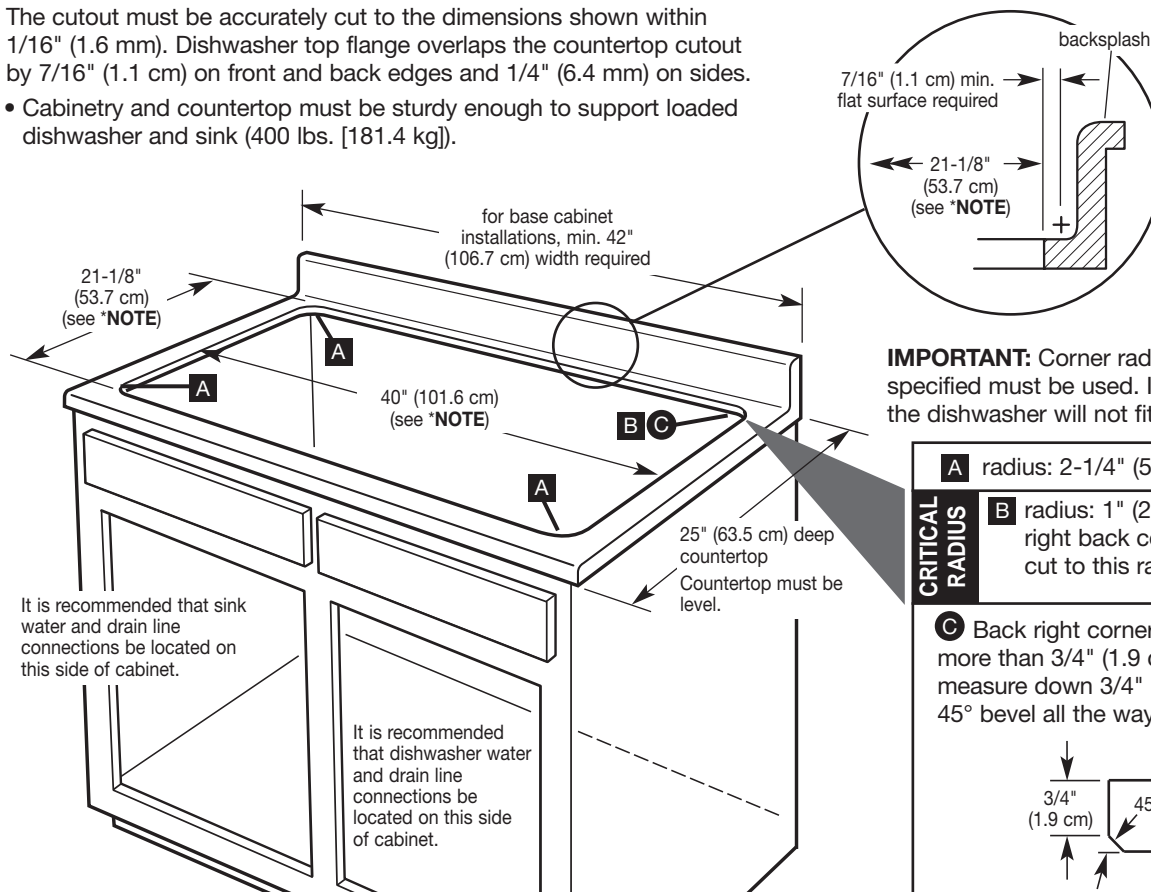
## KIDS42 Product dimensions



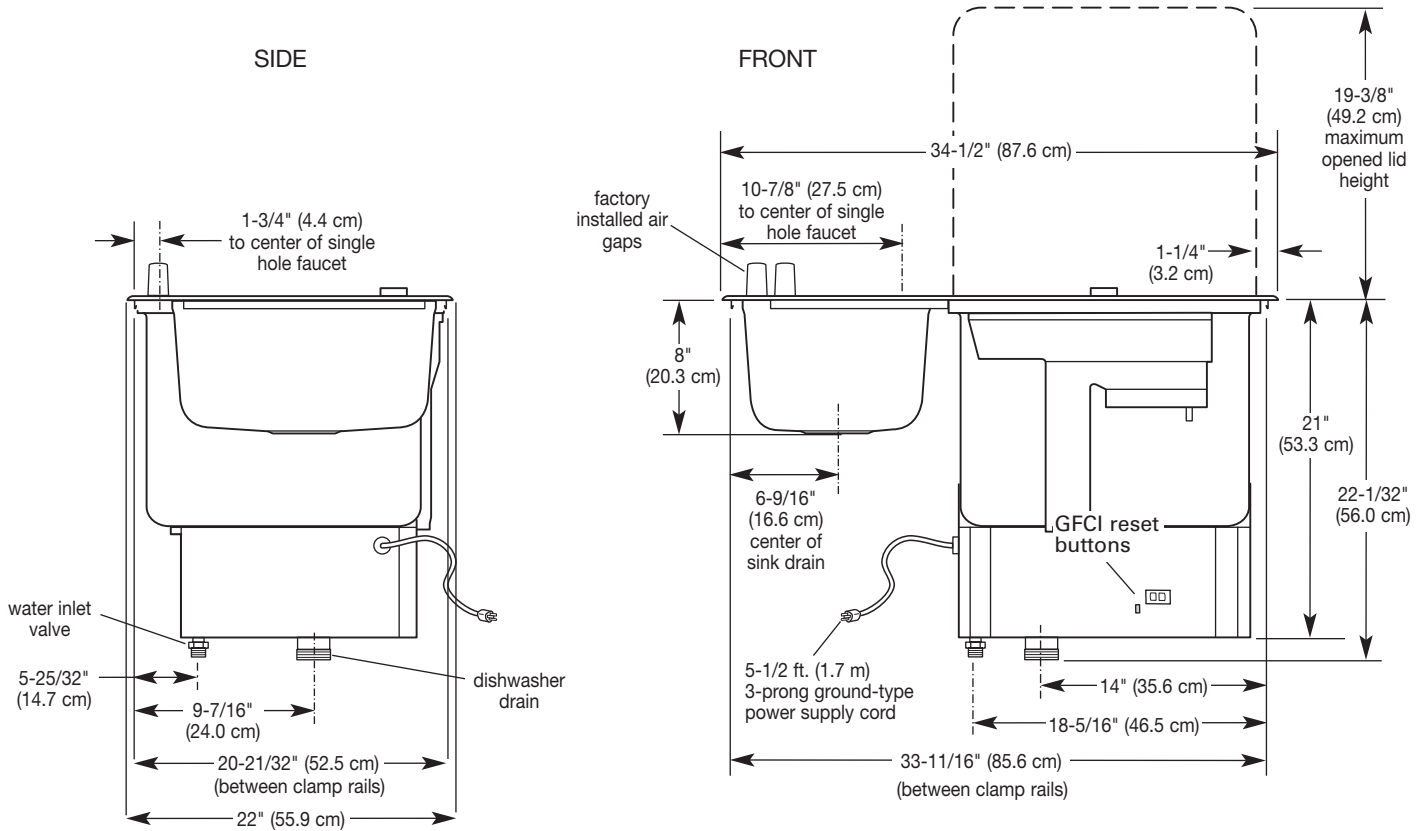
## KIDS42 Cabinet requirements

**\*NOTE:** The cutout must be accurately cut to the dimensions shown within 1/16" (1.6 mm). Dishwasher top flange overlaps the countertop cutout by 7/16" (1.1 cm) on front and back edges and 1/4" (6.4 mm) on sides.

- Cabinetry and countertop must be sturdy enough to support loaded dishwasher and sink (400 lbs. [181.4 kg]).

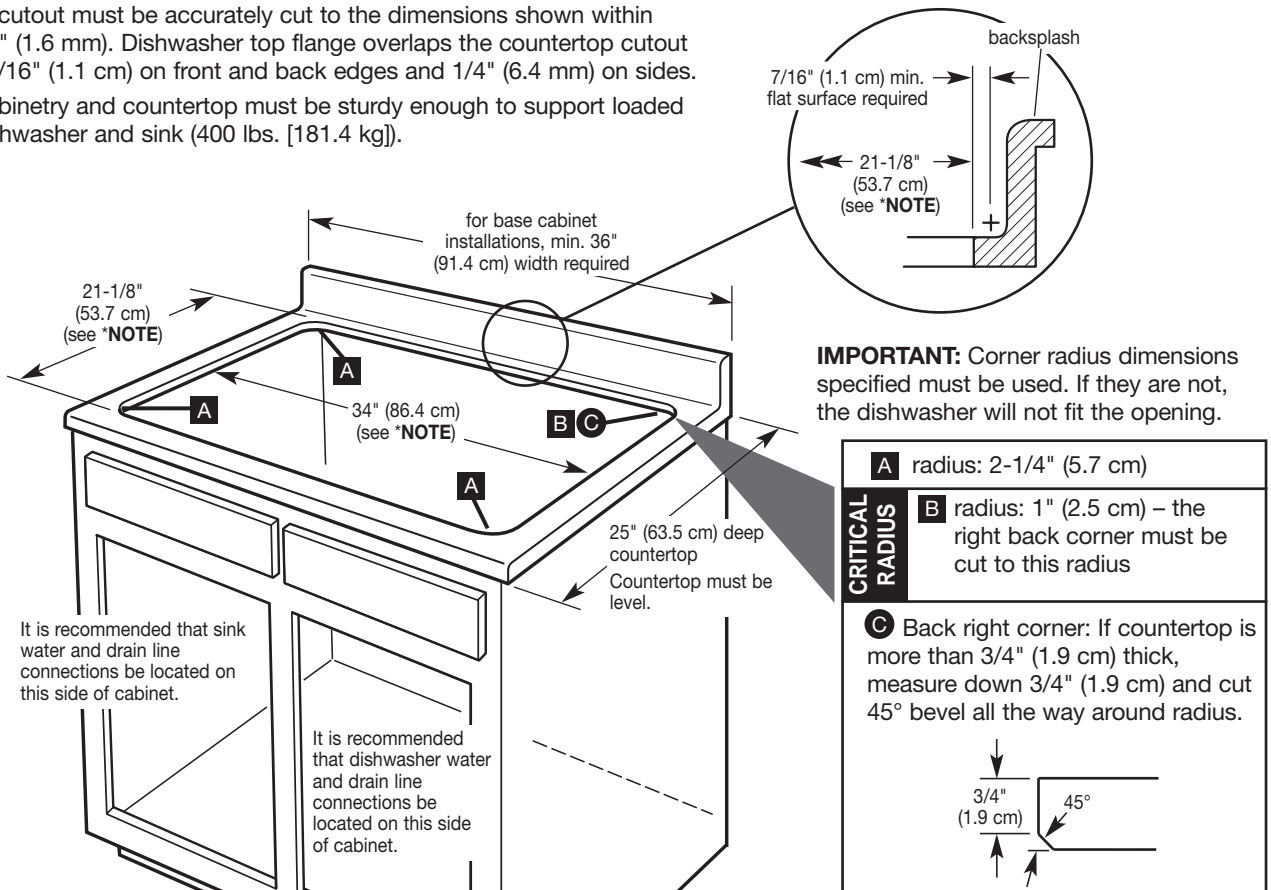


## KIDS36 Product dimensions



## KIDS36 Cabinet requirements

- \*NOTE:** The cutout must be accurately cut to the dimensions shown within 1/16" (1.6 mm). Dishwasher top flange overlaps the countertop cutout by 7/16" (1.1 cm) on front and back edges and 1/4" (6.4 mm) on sides.
- Cabinetry and countertop must be sturdy enough to support loaded dishwasher and sink (400 lbs. [181.4 kg]).

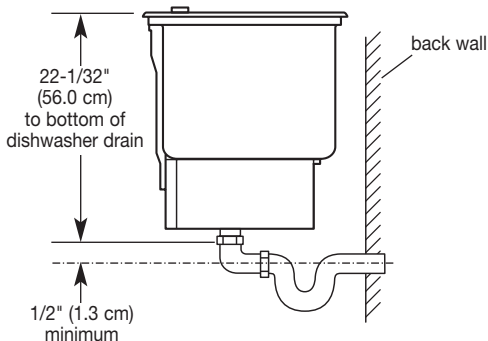


## Drain Requirements

Separate drain P-traps for the sink and dishwasher must be provided.

### Dishwasher drain:

If the dishwasher drain exits through the back wall, the centerline of the drain pipe must be a minimum of 1/2" (1.3 cm) below the dishwasher drain. This is required to completely drain the dishwasher tub so that no standing water remains in tub.



## Water Supply Requirements

### For dishwasher:

- Hot water line with 20-120 psi (138-827 kPa) water pressure. 120°F (49°C) water at dishwasher.
- Copper tubing with compression fitting. 3/8" O.D. is recommended.
- A 90° elbow with 3/8" N.P.T. external pipe threads on one end.

**IMPORTANT:** Do not solder within 6" (15.2 cm) from water inlet valve.

### For sink faucet:

- Hot and cold water line.
- Copper tubing with compression fittings for specific faucet to be installed.

## Electrical Requirements

### ⚠ WARNING



#### Electrical Shock Hazard

**Plug into a grounded 3 prong outlet.**

**Do not remove ground prong.**

**Do not use an adapter.**

**Do not use an extension cord.**

**Failure to follow these instructions can result in death, fire, or electrical shock.**

- If codes permit and a separate ground wire is used, it is recommended that a qualified electrician determine that the ground path is adequate.
- Do not ground to a gas pipe.

- Check with a qualified electrician if you are not sure the dishwasher is properly grounded.
- Do not have a fuse in the neutral or ground circuit.
- A 120-volt, 60 Hz, AC-only, 15 or 20 amp fused electrical supply is required. (Circuit breaker or time-delay fuse is recommended.) It is recommended that a separate circuit serving only this appliance be provided.

### Hot Water Accessory Tank

If you plan to install the Hot Water Accessory Tank Part No. 4396282, an additional separate 120-volt, 60 Hz, AC-only, 15 or 20 amp fused electrical supply is required.

### Garbage Disposer

If you plan to install a garbage disposer, an additional separate 120-volt, 60 Hz, AC-only, 15 or 20 amp fused electrical supply is required.

### Recommended ground method

For your personal safety, this appliance must be grounded. This appliance is equipped with a power supply cord having a 3 prong ground plug. To minimize possible shock hazard, the cord must be plugged into a mating 3 prong ground-type outlet, grounded in accordance with local codes and ordinances.

If a mating outlet is not available, it is the personal responsibility and obligation of the customer to have a properly grounded 3 prong outlet installed by a qualified electrician.

### If dishwasher must be direct wired

### ⚠ WARNING



#### Electrical Shock Hazard

**Electrically ground dishwasher.**

**Connect ground wire to green ground connector in terminal box.**

**Do not use an extension cord.**

**Failure to follow these instructions can result in death, fire, or electrical shock.**

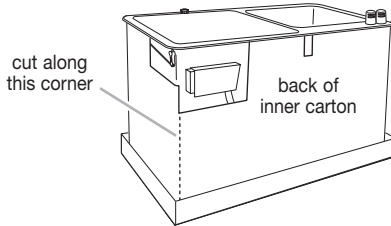
- Use flexible, armored or non-metallic sheathed, copper wire with grounding wire that meets the wiring requirements for your home and local codes and ordinances.
- Use a CSA-certified, U.L.- or C-U.L.-listed conduit connector or if using non-metallic sheathed, copper wire, a CSA-certified, U.L.- or C-U.L.-listed cable clamp connector.

# INSTALLATION INSTRUCTIONS

## Prepare Dishwasher

**IMPORTANT:** If hot water accessory tank (accessory Part No. 4396282) will be used, the tank must be installed first.

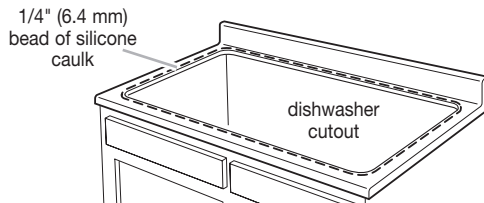
1. With a utility knife, cut along the back right corner of inner carton.



2. Remove inner carton. Leave dishwasher on bottom pad.
3. Install faucet (not included). The dishwasher is shipped ready for installation of a one-hole faucet. If a two-, three- or four-hole faucet is to be installed, the holes must be added by a qualified plumber according to the faucet manufacturer's specifications.

## Install Dishwasher

1. Mark countertop and apply a 1/4" (6.4 mm) bead of silicone caulk 1/4" (6.4 mm) away from dishwasher cutout on sides and 7/16" (1.1 cm) on front and back.



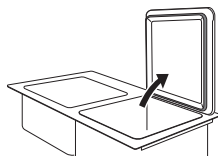
### **⚠ WARNING**

#### **Excessive Weight Hazard**

**Use two or more people to move and install dishwasher. Failure to do so can result in back or other injury.**

2. Set the dishwasher into countertop cutout. Make sure front of dishwasher is parallel to front edge of countertop.

**IMPORTANT:** To prevent damage to right-hand hinge, open dishwasher lid before setting dishwasher into countertop cutout.

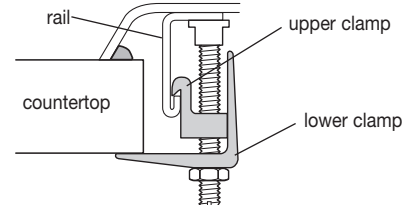


3. Immediately remove any excess caulking.

4. Install two clamp brackets, evenly spaced, on front, back and left (sink) side clamp rails. Optional: If space permits, install two clamp brackets, evenly spaced, on the right side rail.

To install clamps:

- Hook upper clamp onto rail. Use flat-blade screwdriver to attach clamp to rail.
- Use 7/16" deep-well socket and securely tighten nut against lower clamp. Do not overtighten.



## Make Electrical Connection

If you are:

- direct wiring, use Option 1
- using a power supply cord, use Option 2

### Option 1, Direct wired method

If dishwasher must be directly wired to meet local codes, the power supply cord must be removed and dishwasher wired directly. Electrical connections must be contained within the terminal box and meet all national and local codes and ordinances.

Route direct wire so that it does not touch lower part of dishwasher tub to prevent undue sound and vibration.

If power supply cord is removed, the dishwasher must be connected with copper wire only.

### **⚠ WARNING**



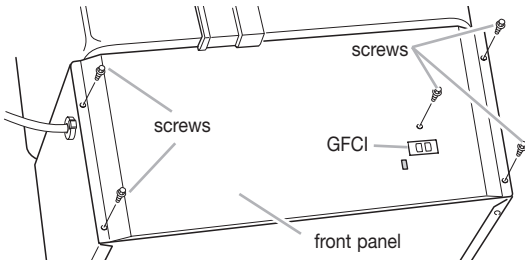
#### **Electrical Shock Hazard**

**Disconnect electrical power at the fuse box or circuit breaker box before installing dishwasher.**

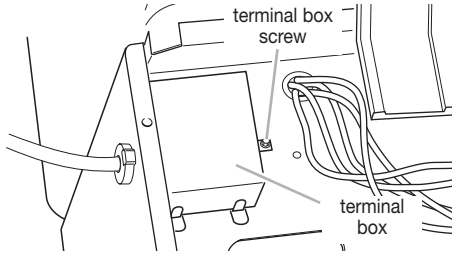
**Failure to do so can result in death or electrical shock.**

1. Disconnect power.

- Remove 5 screws (2 each side and above GFCI) holding the metal front panel and remove panel.

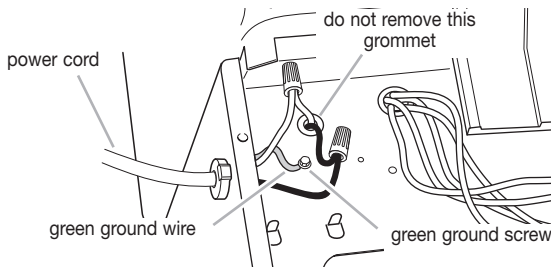


- Remove terminal box screw and terminal box.

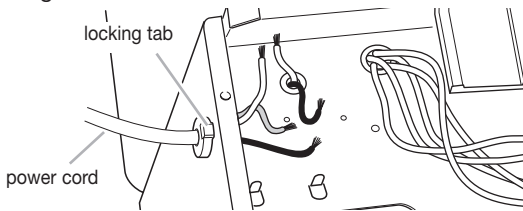


- Remove power cord green ground wire from under green ground screw.

- Remove twist-on connectors and disconnect black and white wires. Do not reuse connectors.

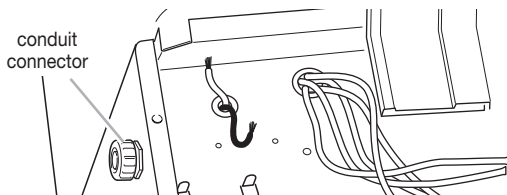


- Use pliers and squeeze locking tab in the power cord strain relief grommet.



- Remove power cord and grommet.

- Install a CSA-certified, U.L.- or C-U.L.-listed conduit connector in power cord hole.



- Install conduit.

## ⚠ WARNING



### Electrical Shock Hazard

Electrically ground dishwasher.

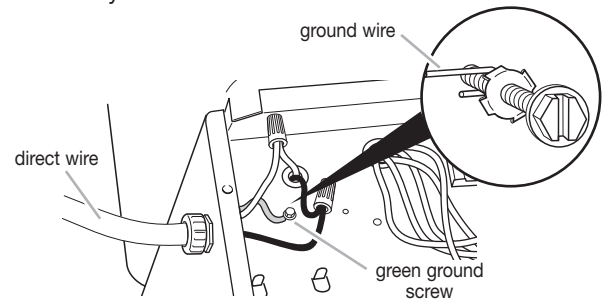
Connect ground wire to green ground connector in terminal box.

Do not use an extension cord.

Failure to follow these instructions can result in death, fire, or electrical shock.

- Route direct wire through conduit and connect wires as follows:

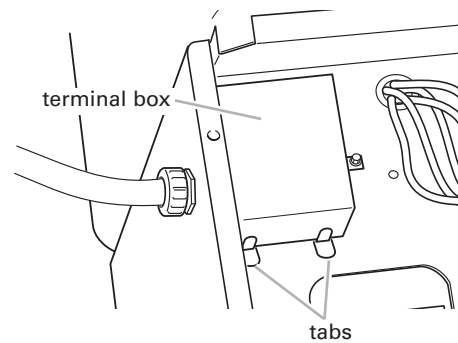
- Form ground wire into a hook and wrap clockwise around ground screw under washer. Tighten ground screw securely.



- Use twist-on connectors of proper size to connect direct wire to 16-gauge wire dishwasher wiring. Connect black wires together and white wires together.

- Reinstall terminal box.

**IMPORTANT:** The tabs must be under the terminal box as shown.





## Option 2, Power supply cord method

### **⚠ WARNING**



#### Electrical Shock Hazard

Plug into a grounded 3 prong outlet.

Do not remove ground prong.

Do not use an adapter.

Do not use an extension cord.

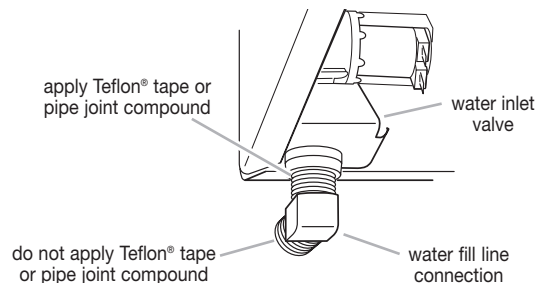
Failure to follow these instructions can result in death, fire, or electrical shock.

1. Plug into a grounded 3 prong outlet.

## Connect Water Supply

1. Apply Teflon<sup>®</sup> tape or pipe joint compound to 90° elbow fitting and connect fitting to water inlet valve.
2. Use adjustable wrench and tighten elbow until snug and facing the direction needed for your water fill line installation.

**IMPORTANT:** If you are installing the Hot Water Accessory Tank, go back to its Installation Instructions and complete that installation at this time.



3. Connect the dishwasher water fill line.
  - a. Slide nut onto copper tubing about 1" (2.5 cm).
  - b. Slide ferrule onto the tubing. Do not position ferrule on the end of the tubing.
  - c. Put the tubing into the elbow as far as it will go.
  - d. Slide the nut and ferrule forward and start the nut onto the elbow threads. Be gentle when handling and positioning the copper tubing, it bends and kinks easily.
  - e. With copper tubing pushed into elbow as far as it will go, use a 5/8" open-end wrench and tighten the compression nut securely.
4. Connect hot and cold water lines to faucet.
5. Connect the sink and dishwasher drain plumbing.
6. Turn water supply on to both dishwasher and sink faucet. Check for leaks.

## Complete Installation

### Power supply cord method

### **⚠ WARNING**



#### Electrical Shock Hazard

Plug into a grounded 3 prong outlet.

Do not remove ground prong.

Do not use an adapter.

Do not use an extension cord.

Failure to follow these instructions can result in death, fire, or electrical shock.

### Direct wire method

### **⚠ WARNING**



#### Electrical Shock Hazard

Electrically ground dishwasher.

Connect ground wire to green ground connector in terminal box.

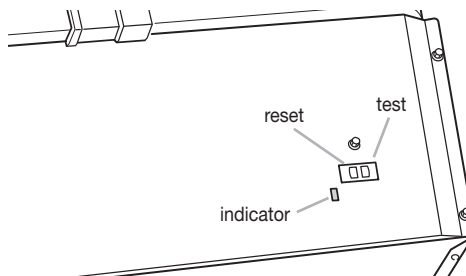
Do not use an extension cord.

Failure to follow these instructions can result in death, fire, or electrical shock.

1. Plug in dishwasher or reconnect power.

**IMPORTANT:** The following steps must be done before using the dishwasher, to test and activate the GFCI.

2. Press the reset button on the GFCI. The indicator should be visible.



3. Press the test button on the GFCI. The indicator should disappear.
4. Press the reset button. The indicator should reappear.

If the GFCI fails this test, do not use the dishwasher. Call the KitchenAid Customer Interaction Center toll-free at 1-800-422-1230 or in Canada, 1-800-461-5681, for assistance.

---

## Check operation

---

1. Refer to the Use and Care Guide that came with this dishwasher and run the dishwasher through a complete cycle.
2. If Hot Water Accessory Tank is installed, wait about 45 minutes before starting the next dishwasher cycle to allow the hot water tank to finish heating. (Refer to the Installation Instructions and Use and Care Guide supplied with the Hot Water Accessory Tank.)
3. When the hot water tank is first heated, it is normal for a small amount of water to be discharged into the dishwasher.
4. Check for leaks.

# ÍNDICE

<b>SEGURIDAD DE LA LAVAVAJILLAS</b> .....	11	<b>INSTRUCCIONES DE INSTALACIÓN</b> .....	16
<b>REQUISITOS DE INSTALACIÓN</b> .....	12	Prepare la lavavajillas .....	16
Herramientas y piezas .....	12	Instale la lavavajillas .....	16
Requisitos de ubicación .....	12	Conexión eléctrica .....	16
Requisitos del desagüe .....	15	Conexión al suministro de agua .....	18
Requisitos del agua .....	15	Complete la Instalación .....	18
Requisitos eléctricos .....	15		

## SEGURIDAD DE LA LAVAVAJILLAS

### Su seguridad y la seguridad de los demás es muy importante.

Hemos incluido muchos mensajes importantes de seguridad en este manual y en su electrodoméstico. Lea y obedezca siempre todos los mensajes de seguridad.



Este es el símbolo de advertencia de seguridad.

Este símbolo le llama la atención sobre peligros potenciales que pueden ocasionar la muerte o una lesión a usted y a los demás.

Todos los mensajes de seguridad irán a continuación del símbolo de advertencia de seguridad y de la palabra "PELIGRO" o "ADVERTENCIA." Estas palabras significan:

**⚠ PELIGRO**

**Si no sigue las instrucciones de inmediato, usted puede morir o sufrir una lesión grave.**

**⚠ ADVERTENCIA**

**Si no sigue las instrucciones, usted puede morir o sufrir una lesión grave.**

Todos los mensajes de seguridad le dirán el peligro potencial, le dirán cómo reducir las posibilidades de sufrir una lesión y lo que puede suceder si no se siguen las instrucciones.

- Esta lavavajillas fue fabricada únicamente para uso interior.
- Observe todos los códigos y reglamentos vigentes.
- Instale el lavavajillas de acuerdo a las especificaciones de estas instrucciones.
- La instalación debe ser hecha por un técnico de servicio calificado. El lavavajillas debe instalarse de acuerdo con todos los códigos y reglamentos eléctricos y de plomería nacionales y locales.

# REQUISITOS DE INSTALACIÓN

## Herramientas y piezas

Reúna las herramientas y piezas necesarias antes de comenzar la instalación. Lea y siga las instrucciones provistas con cualquiera de las herramientas enlistadas aquí. Pueden ser necesarias herramientas adicionales para cortar el mostrador e instalar los tubos de desagüe.

### Herramientas necesarias:

- Cuchillo para uso general
- llave de tuercas de boca de 5/8"
- llave de tubo profunda de 7/16"
- pequeño cortador de tubos
- cinta para medir
- destornillador de punta plana
- masilla de plomero
- llave de tuercas ajustable de 10" que se abra hasta 1-1/8" (2,9 cm)
- cinta Teflón® o compuesto para juntas de tubería
- 1 cartucho de masilla de silicona y pistola para masillar
- llave de tuercas para asegurar el cedazo de lavadero

### Piezas para adquirir:

- tubo de cobre con conexión de compresión para la tubería de llenado de agua (se recomienda 3/8"). La longitud necesaria es determinada por los requisitos específicos de la instalación.
- tubo de cobre con conexión de compresión para la conexión al grifo. La longitud y el diámetro necesarios son determinados por los requisitos específicos de la instalación.
- grifo
- 2 trampas "P" de desagüe de 1-1/2"
- cedazo de lavadero de 3-1/2"
- codo de 90° con rosca externa N.P.T. de 3/8" en un extremo. (El otro extremo debe encajar en la tubería de suministro de agua).

### Además, si está cableando directamente:

- destornillador hexagonal para tuercas de 1/4"
- 2 conectores de enroscar del tamaño apropiado para conectar el cableado de la casa al cableado de calibre 16 de la lavavajillas
- conector de conductos certificado por el CSA, que esté en la lista U.L. o C.-U.L. para orificios de 7/8" (2,2 cm)

### Piezas suministradas:

- soportes de abrazadera para la parte debajo del mostrador –ajustables para mostradores de 3/4" (1,9 cm) a 1-1/2" (3,8 cm) de espesor
- tabla para cortar

## Requisitos de ubicación

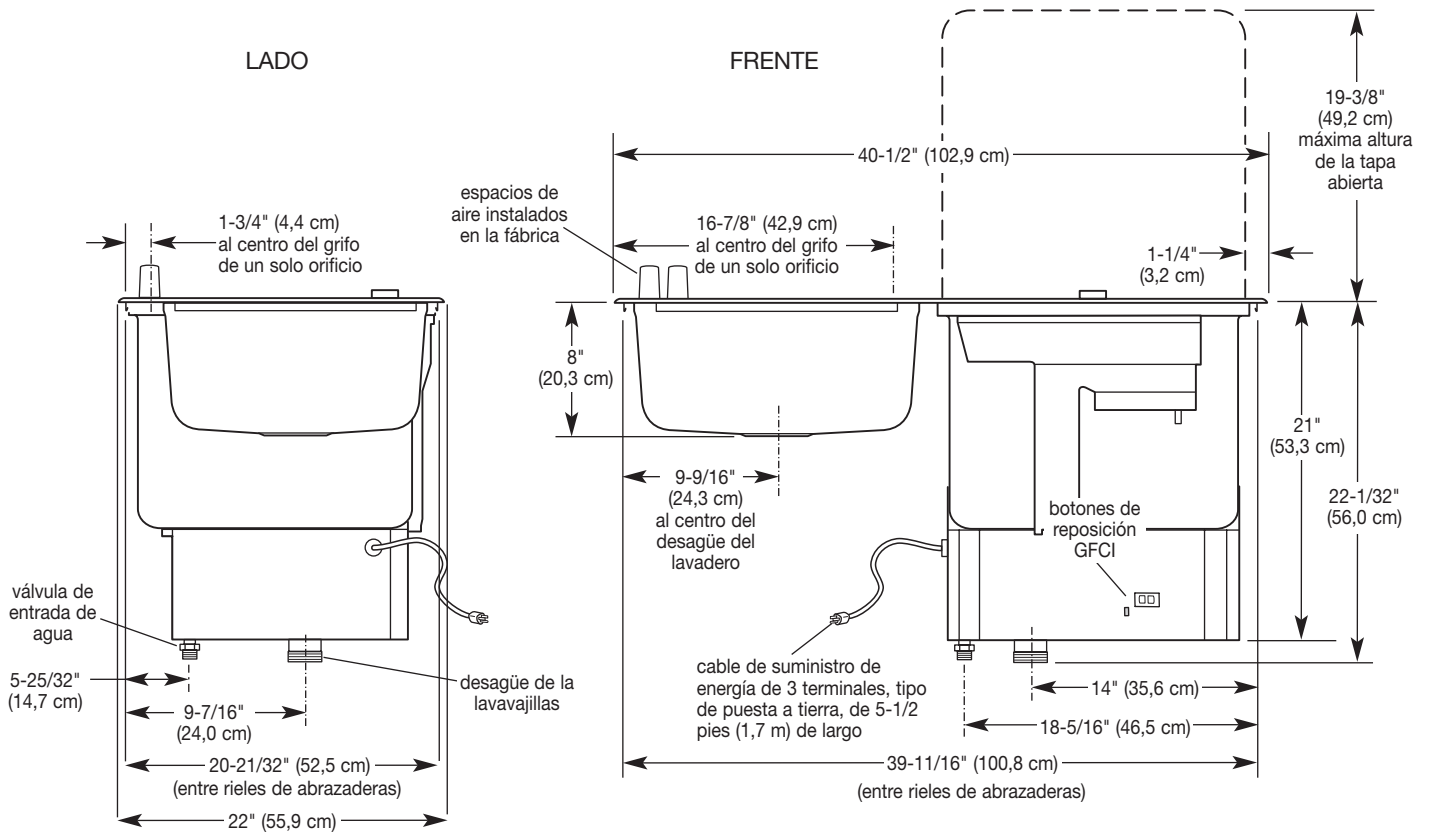
Proteja la lavavajillas y la tubería de agua conectada a la lavavajillas para que no se congelen. La garantía no cubre daños por congelación.

Si va a dejar la lavavajillas sin uso por cierto tiempo o en un lugar donde pudiera congelarse, haga que un miembro del personal de servicio autorizado la prepare para el invierno.

La lavavajillas transportada está lista para ser instalada en un grifo de un solo orificio. Si se instalará un grifo de dos, tres o cuatro orificios, éstos deberán ser agregados por un plomero calificado de conformidad con las especificaciones del fabricante del grifo.

Si se utilizará el tanque accesorio de agua caliente, Pieza No. 4396282, el tanque deberá ser instalado primero. De lo contrario, puede resultar difícil instalar la tubería de desagüe a la válvula T&P en el tanque accesorio de agua caliente.

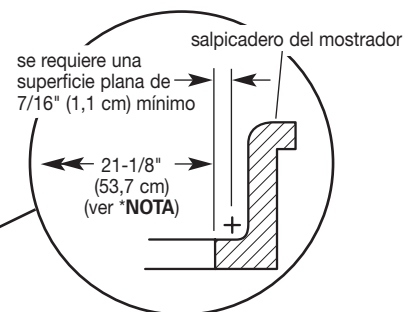
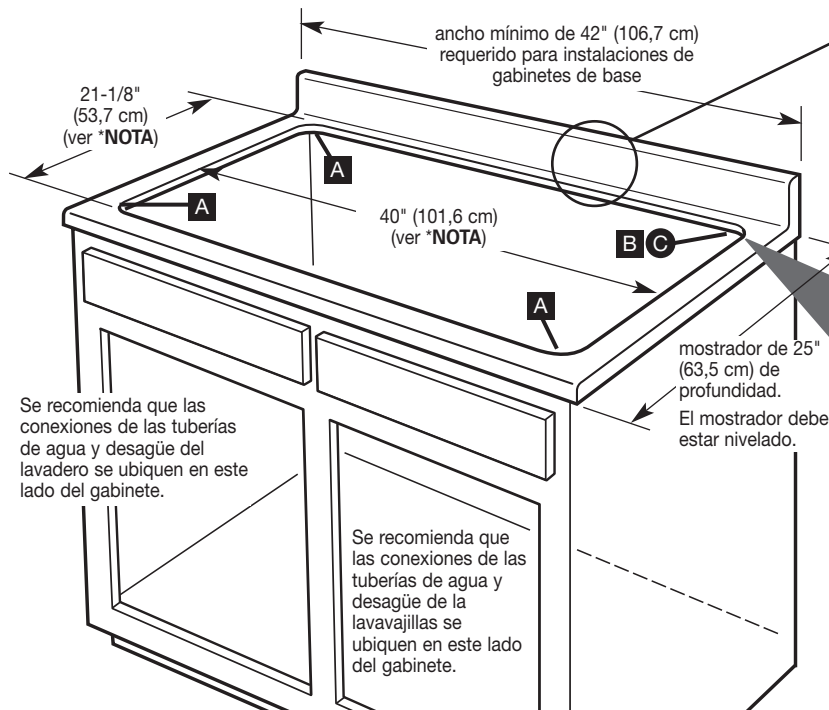
## KIDS42 Dimensiones del producto



## KIDS42 Requisitos del gabinete

**\*NOTA:** El recorte debe ser hecho exactamente de acuerdo con las dimensiones mostradas con un margen no mayor de 1/16" (1,6 mm). La brida superior de la lavavajillas se sobrepone 7/16" (1,1 cm) al recorte del mostrador en los bordes delantero y posterior y 1/4" (6,4 mm) en los lados.

- Los gabinetes y el mostrador deben ser lo suficientemente robustos para soportar la lavavajillas y el lavadero cargados (400 libras [181,4 kg]).

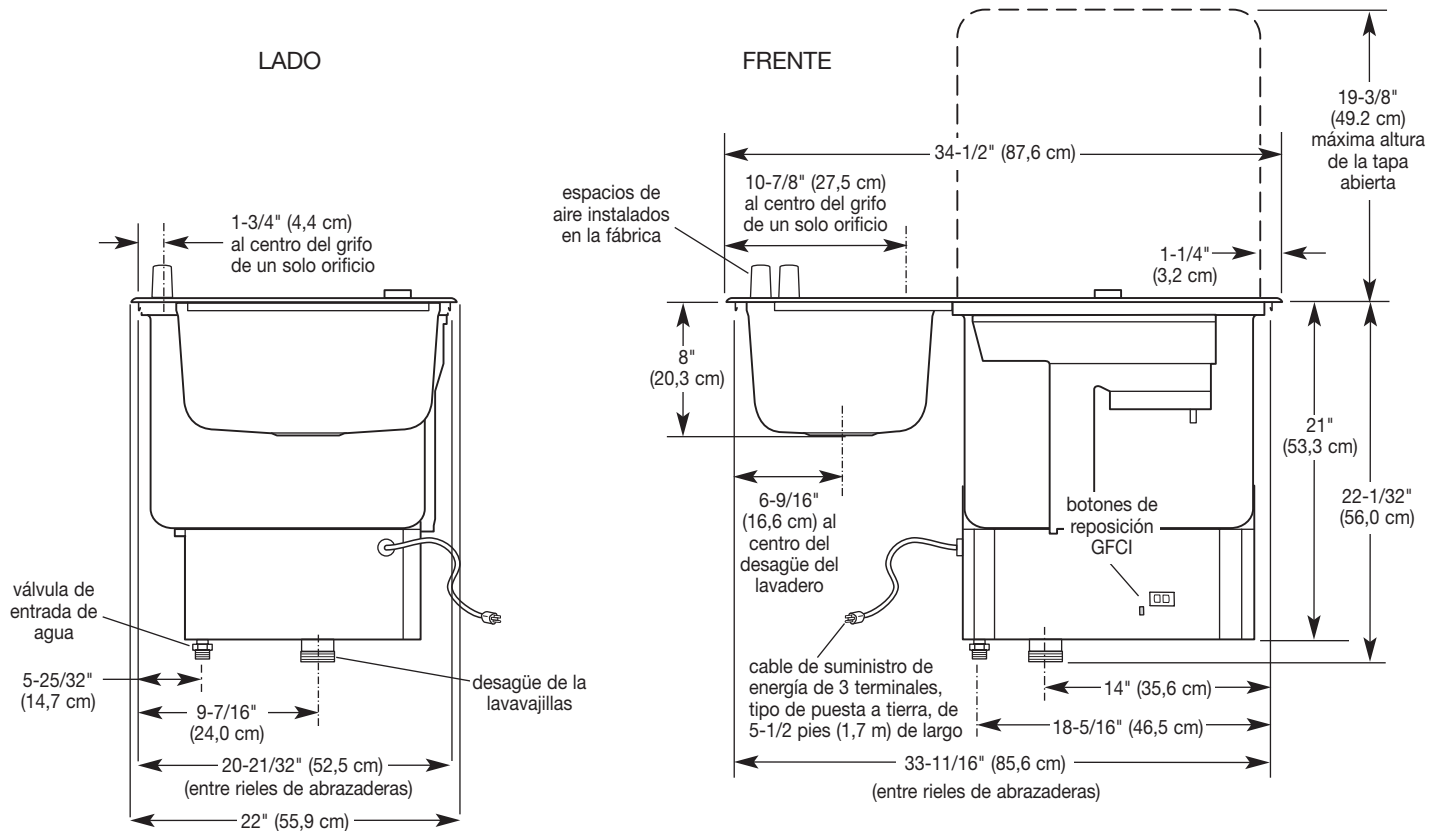


**IMPORTANTE:** Deben usarse las dimensiones de radio especificadas. Si no se usan, la lavavajillas no encajará en la abertura.

<b>RADIO CRÍTICO</b>	<b>A</b> radio: 2-1/4" (5,7 cm)
	<b>B</b> radio: 1" (2,5 cm) – la esquina posterior derecha debe recortarse a este radio
	<b>C</b> Esquina posterior derecha: Si el mostrador tiene más de 3/4" (1,9 cm) de grosor, mida 3/4" (1,9 cm) hacia abajo y corte un bisel de 45° alrededor del radio.

3/4" (1,9 cm) 45°

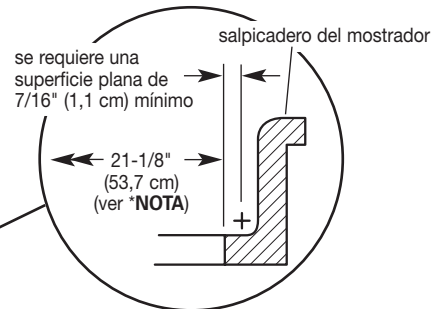
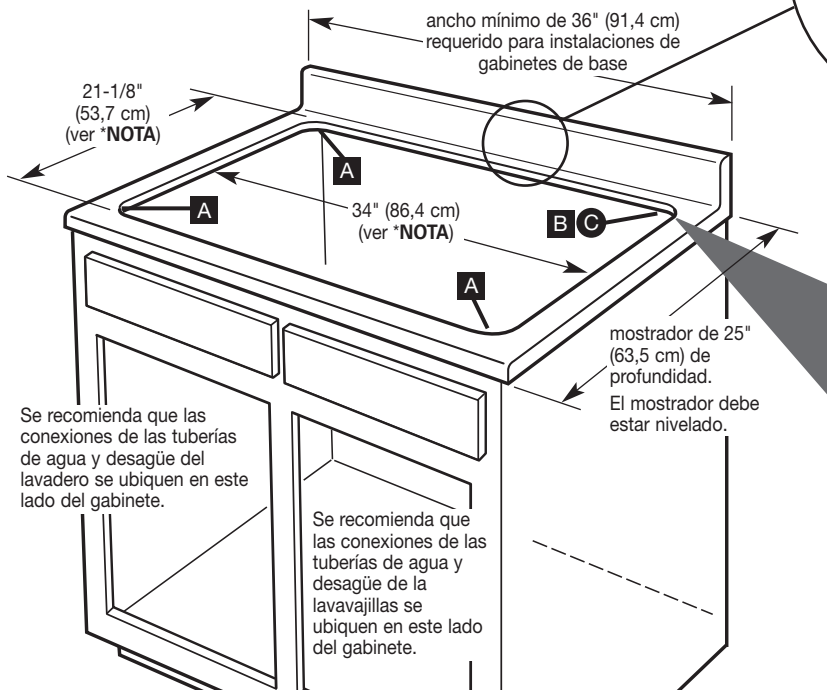
## KIDS36 Dimensiones del producto



## KIDS36 Requisitos del gabinete

**\*NOTA:** El recorte debe ser hecho exactamente de acuerdo con las dimensiones mostradas con un margen no mayor de 1/16" (1,6 mm). La brida superior de la lavavajillas se sobrepone 7/16" (1,1 cm) al recorte del mostrador en los bordes delantero y posterior y 1/4" (6,4 mm) en los lados.

- Los gabinetes y el mostrador deben ser lo suficientemente robustos para soportar la lavavajillas y la lavadero cargados (400 libras [181,4 kg]).



**IMPORTANTE:** Deben usarse las dimensiones de radio especificadas. Si no se usan, la lavavajillas no encajará en la abertura.

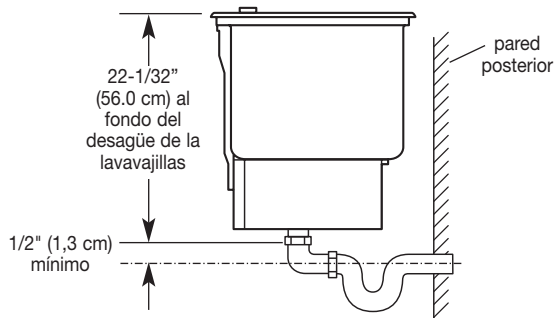
<b>RADIO CRÍTICO</b>	<b>A</b> radio: 2-1/4" (5,7 cm)
	<b>B</b> radio: 1" (2,5 cm) – la esquina posterior derecha debe recortarse a este radio
	<b>C</b> Esquina posterior derecha: Si el mostrador tiene más de 3/4" (1,9 cm) de grosor, mida 3/4" (1,9 cm) hacia abajo y corte un bisel de 45° alrededor del radio.

## Requisitos del desagüe

Deben proveerse trampas "P" separadas para el lavadero y de la lavavajillas.

### Desagüe de la lavavajillas:

Si el desagüe de la lavavajillas sale a través de la pared posterior, la línea central del desagüe debe estar a un mínimo de 1/2" (1,3 cm) por debajo del desagüe del lavavajillas. Esto se requiere para que el tanque de la lavavajillas se vacíe completamente sin que quede nada de agua.



## Requisitos del agua

### Para la lavavajillas:

- Tubería de agua caliente con presión de agua de 20-120 lbs/pulg<sup>2</sup> (138-827 kPa). Agua a 120°F (49°C) en la lavavajillas.
- Tubería de cobre con conexión de compresión. Se recomienda un diámetro externo de 3/8".
- Un codo de 90° con rosca externa de 3/8" N.P.T. en un extremo.

**IMPORTANTE:** No suelde a menos de 6" (15,2 cm) de la válvula de entrada de agua.

### Para el grifo del lavadero:

- Tuberías de agua fría y caliente.
- Tubería de cobre con conexión de compresión para el grifo específico a ser instalado.

## Requisitos eléctricos

### ⚠ ADVERTENCIA



#### Peligro de Choque Eléctrico

**Conecte a un contacto de pared de conexión a tierra de 3 terminales.**

**No quite la terminal de conexión a tierra.**

**No use un adaptador.**

**No use un cable eléctrico de extensión.**

**No seguir estas instrucciones puede ocasionar la muerte, incendio o choque eléctrico.**

- Si los códigos locales lo permiten y se usa un alambre de conexión a tierra separado, se recomienda que un electricista

calificado determine que la vía de conexión a tierra sea adecuada.

- No haga la conexión a tierra en una tubería de gas.
- Verifique con un electricista calificado si no está seguro de que la lavavajillas está debidamente conectada a tierra.
- No tenga un fusible en el circuito neutral o en el de tierra.
- Se necesita un suministro eléctrico de 120 voltios, 60 Hz., CA solamente, de 15 ó 20 amperios, protegido con fusibles. (Se recomienda el empleo de un fusible retardador o cortacircuitos.) Se recomienda proveer un circuito separado que sea usado solamente para este aparato electrodoméstico.

### Tanque accesorio de agua caliente

Si planea instalar el Tanque accesorio de agua caliente Pieza No. 4396282, se requiere un suministro de energía de 120 voltios, 60 Hz., CA solamente, de 15 ó 20 amperios separado y protegido con fusible.

### Recipiente de desechos

Si planea instalar un recipiente de desechos, se requiere un suministro de energía de 120 voltios, 60 Hz., CA solamente, de 15 ó 20 amperios separado y protegido con fusible.

### Método recomendado de puesta a tierra

Por su propia seguridad, este aparato deberá estar conectado a tierra. Este aparato viene equipado con un cable de suministro de energía que tiene un enchufe de tres terminales con conexión a tierra. Para reducir al mínimo los probables peligros de choque eléctrico, el cable debe enchufarse en un contacto de pared de tres terminales, conectado a tierra, de conformidad con los códigos y reglamentos locales.

Si no dispone de un contacto apropiado, es responsabilidad y obligación del cliente solicitar a un electricista calificado para la instalación de un contacto de pared de 3 terminales debidamente conectado a tierra.

### Si la lavavajillas debe tener una conexión directa

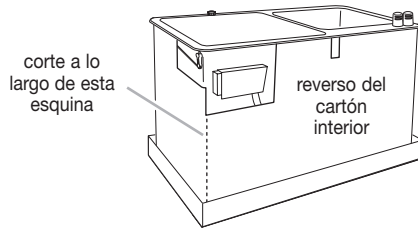
- Utilice alambre de cobre flexible, blindado o con forro no metálico con alambre de puesta a tierra adecuado a los requisitos de cableado de su hogar y que cumpla con los códigos y reglamentos de su localidad.
- Utilice un conector de conducto aprobado por el CSA, U.L. o C-U.L. Si usa un alambre de cobre con forro no metálico, un conector de abrazadera para cable aprobado por el CSA, U.L. o C-U.L.

# INSTRUCCIONES DE INSTALACIÓN

## Prepare la lavavajillas

**IMPORTANTE:** Si se va a usar el tanque accesorio de agua caliente (Pieza No. 4396282), debe instalarse el tanque primero.

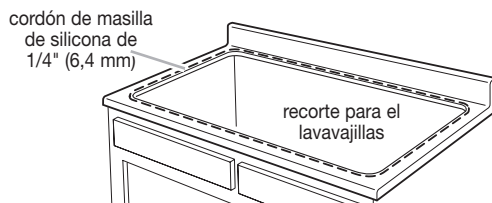
1. Con un cuchillo para todo uso, corte a lo largo de la esquina posterior derecha del cartón interior.



2. Retire el cartón interior. Deje la lavavajillas sobre la base inferior y el marco de madera.
3. Instale el grifo (no incluido). La lavavajillas es enviada lista para ser instalada en un grifo de un orificio. Si se va a instalar un grifo de 2, 3 ó 4 orificios, los orificios deben ser añadidos por un plomero calificado de acuerdo a las especificaciones del fabricante del grifo.

## Instale la lavavajillas

1. Marque el mostrador y aplique un cordón de 1/4" (6,4 mm) de masilla de silicona a 1/4" (6,4 mm) del recorte para el lavavajillas en los costados y a 7/16" (1,1 cm) adelante y atrás.



## ⚠ ADVERTENCIA

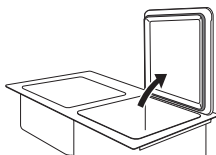
### Peligro de Peso Excesivo

Use dos o más personas para mover e instalar la lavavajillas.

No seguir esta instrucción puede ocasionar una lesión en la espalda u otro tipo de lesiones.

2. Acomode la lavavajillas en el recorte del mostrador. Asegúrese que la parte delantera de la lavavajillas esté paralela al borde delantero del mostrador.

**IMPORTANTE:** Para evitar daños a la bisagra derecha, abra la tapa de la lavavajillas antes de asentar la lavavajillas en el recorte del mostrador.

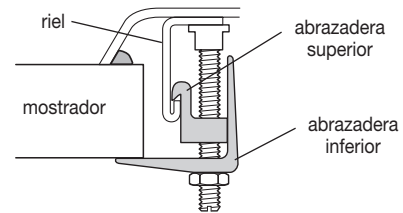


3. Retire de inmediato cualquier exceso de masilla.

4. Instale dos soportes de abrazadera, espaciados uniformemente, en los rieles de los soportes de abrazadera delantero, posterior e izquierdo (lavadero). Opcional: Si el espacio lo permite, instale dos soportes de abrazadera, espaciados uniformemente, en el riel lateral derecho.

Para instalar abrazaderas:

- Enganche la abrazadera superior en el riel. Use un destornillador de punta plana para fijar la abrazadera al riel.
- Use un tubo profundo de 7/16" y apriete firmemente la tuerca contra la abrazadera inferior. No apriete en exceso.



## Conexión eléctrica

Si:

- está haciendo cableado directo, siga la Opción 1
- emplea un cable de suministro eléctrico, siga la Opción 2

### Opción 1, Método de cableado directo

Si la lavavajillas debe ser cableada directamente para cumplir con los códigos locales, el cable de suministro de energía debe ser removido y la lavavajillas cableada directamente. Las conexiones eléctricas deben estar contenidas dentro de la caja terminal y cumplir con todos los códigos y reglamentos nacionales y locales.

Dirija el cable directo de manera que no toque la parte inferior de la tina de la lavavajillas para evitar sonidos y vibraciones excesivos.

Si se remueve el cable de suministro de energía, la lavavajillas debe ser conectada sólo con cable de cobre.

## ⚠ ADVERTENCIA



### Peligro de Choque Eléctrico

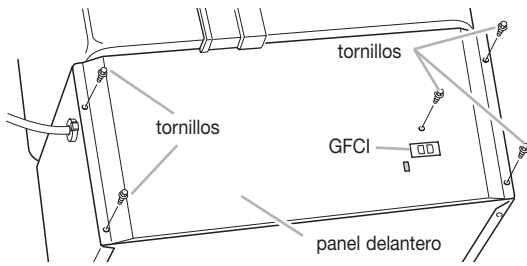
Desconecte el suministro de energía en la caja de fusibles o cortacircuitos antes de instalar la lavavajillas.

No seguir esta instrucción puede ocasionar la muerte o choque eléctrico.

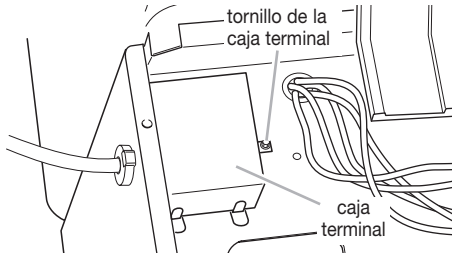
1. Desconecte el suministro de energía.



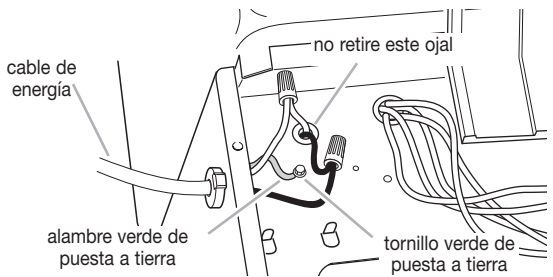
- Retire 5 tornillos (2 en cada lado y 1 arriba del GFCI) que sostienen el panel metálico delantero y retírelo.



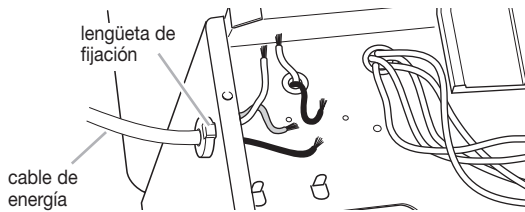
- Retire el tornillo de la caja terminal y la caja terminal.



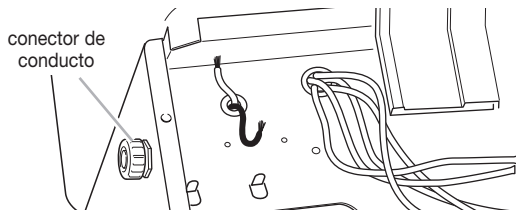
- Retire el alambre verde de puesta a tierra del cable de energía de debajo del tornillo verde de puesta a tierra.
- Retire los conectores de enroscar y desconecte los alambres negro y blanco. No vuelva a usar los conectores.



- Use pinzas y apriete la lengüeta de fijación en el ojal de alivio de tensión del cable de energía.



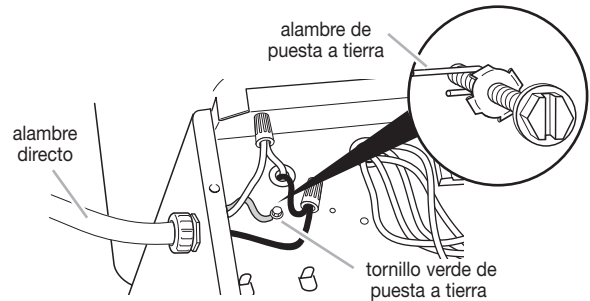
- Retire el cable de energía y el ojal.
- Instale un conector de conducto aprobado por el CSA, U.L. o C-U.L. en el orificio del cable de energía.



- Instale el conducto.

- Pase el alambre directo a través del conducto y conecte los alambres como sigue:

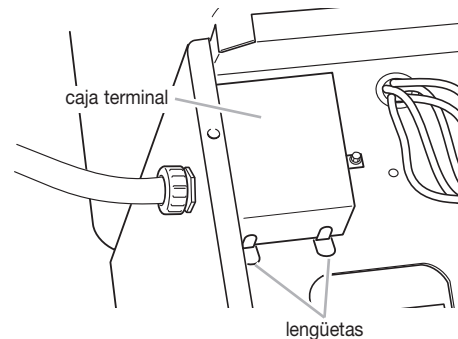
- Dé forma de gancho al alambre de puesta a tierra y envuélvalo hacia la derecha alrededor del tornillo de puesta a tierra debajo de la arandela. Apriete firmemente el tornillo de puesta a tierra.



- Use conectores de enroscar del tamaño apropiado para conectar el alambre directo al alambre de calibre 16 del cableado del lavavajillas. Conecte los alambres negros entre sí y luego los alambres blancos entre sí.

- Vuelva a instalar la caja terminal.

**IMPORTANTE:** Las lengüetas deben estar debajo de la caja terminal como se muestra.



## Opción 2, Método de cable de suministro eléctrico

### ⚠ ADVERTENCIA



#### Peligro de Choque Eléctrico

Conecte a un contacto de pared de conexión a tierra de 3 terminales.

No quite la terminal de conexión a tierra.

No use un adaptador.

No use un cable eléctrico de extensión.

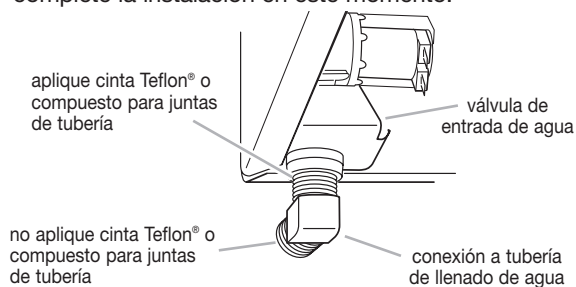
No seguir estas instrucciones puede ocasionar la muerte, incendio o choque eléctrico.

1. Conecte a un contacto de pared de conexión a tierra de 3 terminales

## Conexión al suministro de agua

1. Aplique cinta Teflon® o compuesto para juntas de tubería a la conexión del codo de 90° y conéctelo a la válvula de entrada de agua.
2. Use la llave de tuercas ajustable y apriete el codo hasta que esté firme y mirando en la dirección necesaria para la instalación de la tubería de llenado de agua.

**IMPORTANTE:** Si está instalando el Tanque accesorio de agua caliente, vuelva a sus Instrucciones de instalación y complete la instalación en este momento.



3. Conecte la tubería de llenado de agua de la lavavajillas.
  - a. Deslice la tuerca en el tubo de cobre aproximadamente 1" (2,5 cm).
  - b. Deslice la férula sobre el tubo. No coloque la férula en el extremo del tubo.
  - c. Introduzca el tubo en la conexión de llenado hasta donde sea posible.
  - d. Deslice la tuerca y la férula hacia adelante y comience a enroscar la tuerca en la rosca del codo. Tenga cuidado al manipular y poner en posición el tubo de cobre. Se dobla y pliega fácilmente.
  - e. Con el tubo de cobre empujado todo lo posible dentro del codo, use una llave de tuercas de boca de 5/8" y apriete firmemente la tuerca de compresión.
4. Conecte las tuberías de agua fría y caliente al grifo.

5. Conecte las tuberías de desagüe del lavadero y de la lavavajillas.
6. Abra el suministro de agua tanto de la lavavajillas como del grifo del lavadero. Compruebe si hay fugas.

## Complete la instalación

### Método de cable de suministro eléctrico

### ⚠ ADVERTENCIA



#### Peligro de Choque Eléctrico

Conecte a un contacto de pared de conexión a tierra de 3 terminales.

No quite la terminal de conexión a tierra.

No use un adaptador.

No use un cable eléctrico de extensión.

No seguir estas instrucciones puede ocasionar la muerte, incendio o choque eléctrico.

### Método de cableado directo

### ⚠ ADVERTENCIA



#### Peligro de Choque Eléctrico

Conecte a tierra la lavavajillas.

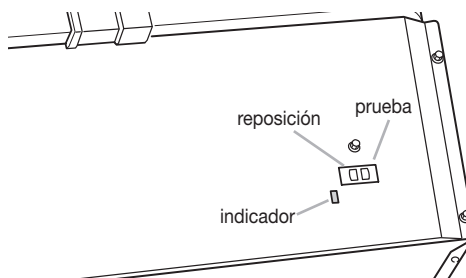
Conecte el alambre de conexión a tierra al conector verde de conexión a tierra en la caja de conexiones.

No use extensiones eléctricas.

No seguir estas instrucciones puede ocasionar la muerte, incendio o choque eléctrico.

1. Reconecte el suministro de energía.

**IMPORTANTE:** Los siguientes pasos deben hacerse antes de usar la lavavajillas, para probar y activar el GFCI.
2. Oprima el botón de reposición en el GFCI. El indicador debe estar visible.



3. Oprima el botón de prueba en el GFCI. El indicador debe desaparecer.
4. Oprima el botón de reposición. El indicador debe volver a aparecer.  
Si el GFCI falla esta prueba, no use la lavavajillas. Llame sin costo alguno al Centro de Interacción con el Cliente de KitchenAid al 1-800-422-1230, o en Canadá al 1-800-461-5681 para obtener ayuda.

---

### **Verifique el funcionamiento**

---

1. Consulte la Guía de Uso y Cuidado que vino con esta lavavajillas y haga funcionar la lavavajillas a través de un ciclo completo.
2. Si se ha instalado el Tanque accesorio de agua caliente, espere unos 45 minutos antes de comenzar el siguiente ciclo de la lavavajillas para permitir que el tanque de agua caliente termine de calentar. (Consulte las Instrucciones de instalación y la Guía de uso y cuidado provista con el Tanque accesorio de agua caliente).
3. Cuando se calienta por primera vez el tanque de agua caliente, es normal que una pequeña cantidad de agua sea descargada en la lavavajillas.
4. Verifique si hay fugas.

8564766

® Marca registrada/™ Marca de comercio de KitchenAid, U.S.A.; Usada bajo licencia de KitchenAid Canada en Canadá.

® Teflón es una marca registrada de E.I. Du Pont de Nemours and Company.

© 2004 Todos los derechos reservados.

Impreso en los EE.UU.  
09/2004

# TABLE DES MATIÈRES

<b>SÉCURITÉ DU LAVE-VAISSELLE</b> .....	<b>21</b>	<b>INSTRUCTIONS D'INSTALLATION</b> .....	<b>26</b>
<b>EXIGENCES D'INSTALLATION</b> .....	<b>21</b>	Préparation du lave-vaisselle .....	26
Outillage et pièces .....	22	Installation du lave-vaisselle .....	26
Emplacement d'installation .....	22	Raccordement électrique .....	26
Spécifications de la canalisation d'évacuation .....	25	Raccordement à la canalisation d'eau .....	26
Spécifications de l'alimentation en eau .....	25	Achever l'installation .....	28
Spécifications électriques .....	25		

## SÉCURITÉ DU LAVE-VAISSELLE

### Votre sécurité et celle des autres est très importante.

Nous donnons de nombreux messages de sécurité importants dans ce manuel et sur votre appareil ménager. Assurez-vous de toujours lire tous les messages de sécurité et de vous y conformer.



Voici le symbole d'alerte de sécurité.

Ce symbole d'alerte de sécurité vous signale les dangers potentiels de décès et de blessures graves à vous et à d'autres.

Tous les messages de sécurité suivront le symbole d'alerte de sécurité et le mot "DANGER" ou "AVERTISSEMENT". Ces mots signifient :

**▲ DANGER**

**Risque possible de décès ou de blessure grave si vous ne suivez pas immédiatement les instructions.**

**▲ AVERTISSEMENT**

**Risque possible de décès ou de blessure grave si vous ne suivez pas les instructions.**

Tous les messages de sécurité vous diront quel est le danger potentiel et vous disent comment réduire le risque de blessure et ce qui peut se produire en cas de non-respect des instructions.

- Ce lave-vaisselle est conçu pour une utilisation à l'intérieur seulement.
- Respecter les dispositions de tous les codes et règlements en vigueur.
- Installer le lave-vaisselle conformément aux présentes instructions.
- L'installation doit être exécutée par un technicien qualifié. L'installation du lave-vaisselle doit satisfaire les exigences de tous les codes (national et local) et règlements en vigueur régissant les circuits d'électricité et de plomberie.

---

# EXIGENCES D'INSTALLATION

---

## Outillage et pièces

Rassembler les outils et pièces nécessaires avant de commencer l'installation. Lire et suivre les instructions fournies avec les outils indiqués ici.

### Outillage nécessaire :

- couteau utilitaire
- clé plate 5/8" (pour le raccordement de la canalisation d'arrivée d'eau)
- clé à douille profonde 7/16" (pour les brides de fixation sous le plan de travail)
- petit coupe-tube
- mètre-ruban
- tournevis à lame plate
- mastic de plomberie
- clé à mollette 10", ouverture à 1-1/8" (2,9 cm) (pour raccord 90°)
- ruban de Teflon® ou composé d'étanchéité des jointures
- 1 cartouche de calfeutrant aux silicones et applicateur
- clé spéciale pour écrou de blocage du connecteur d'évier

### Pièces nécessaires

- Tube de cuivre avec raccord à compression pour canalisation d'arrivée d'eau (3/8" recommandé); longueur variable selon la configuration spécifique d'installation.
- Tube de cuivre avec raccord à compression pour connexion sur le robinet; longueur et diamètre variables, selon les spécifications d'installation du robinet.
- robinet
- 2 siphons P, 1-1/2"
- connecteur/crépine d'évier, 3-1/2"
- raccord coudé 90° avec filetage mâle 3/8" N.P.T. à une extrémité. (L'autre extrémité doit être connectée à la canalisation d'arrivée d'eau.)

Pour le câblage direct :

- tourne-écrou 1/4"
- 2 connecteurs de fils de taille appropriée pour le raccordement du câblage de la maison au câblage du lave-vaisselle (calibre 16).
- connecteur de conduit (homologation CSA, U.L. ou C-U.L.) pour trou de 2,2 cm (7/8")

### Pièces fournies :

- brides de fixation [brides réglables, pour fixation sur plan de travail de 3/4" (1,9 cm) à 1-1/2" (3,8 cm)]
- planche à découper

## Emplacement d'installation

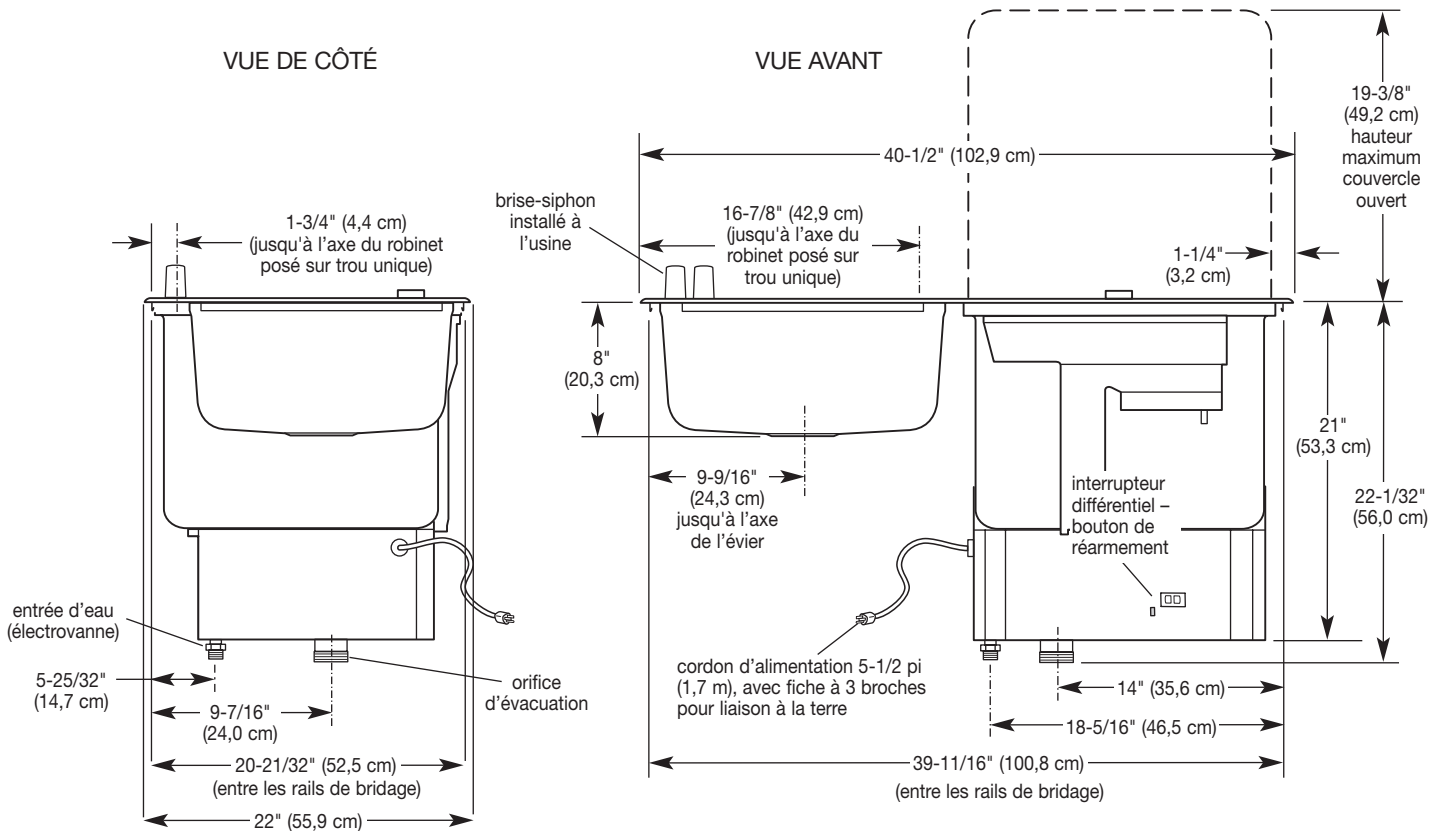
Protéger le lave-vaisselle et les canalisations d'eau qui l'alimentent contre le gel. La garantie ne couvre pas les dommages imputables au gel.

Si le lave-vaisselle est inutilisé pendant un moment ou s'il se trouve à un endroit où il peut geler, le faire hiverner par un technicien de service agréé.

Dans sa configuration de livraison, le lave-vaisselle peut recevoir un robinet qui ne nécessite qu'un seul trou pour l'installation. Pour l'installation d'un robinet nécessitant deux, trois ou quatre trous, le plombier devra percer les trous additionnels conformément aux spécifications du fabricant du robinet.

Si un chauffe-eau accessoire (pièce n° 4396282) est utilisé, on doit l'installer d'abord. Il peut être difficile d'installer la canalisation d'évacuation qui doit être connectée à la soupape de sécurité (T & P) sur le chauffe-eau, si elle n'est pas installée d'abord.

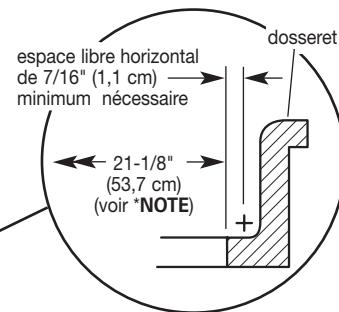
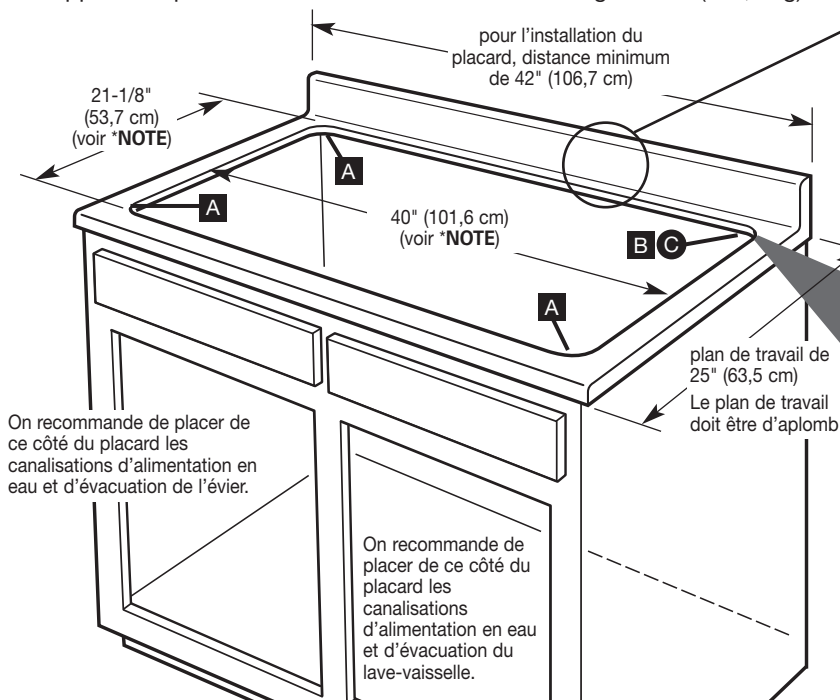
## KIDS42 Dimensions du produit



## KIDS42 Spécifications du placard

**\*NOTE :** On doit respecter scrupuleusement les dimensions indiquées pour le découpage de l'ouverture nécessaire (tolérance de 1/16" [1,6 mm]). Le rebord sur la périphérie du lave-vaisselle dépassera les rives de l'ouverture découpée dans le plan de travail de 7/16" (1,1 cm) à l'avant et à l'arrière, et de 1/4" (6,4 mm) sur les côtés.

- Le placard et le plan de travail doivent être suffisamment robustes pour supporter le poids de l'évier et du lave-vaisselle chargé 400 lb (181,4 kg).

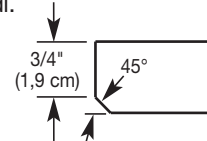


**IMPORTANT :** La spécification de configuration de l'arrondi doit être respectée. Si ce n'est pas le cas, le lave-vaisselle ne passera pas correctement dans l'ouverture.

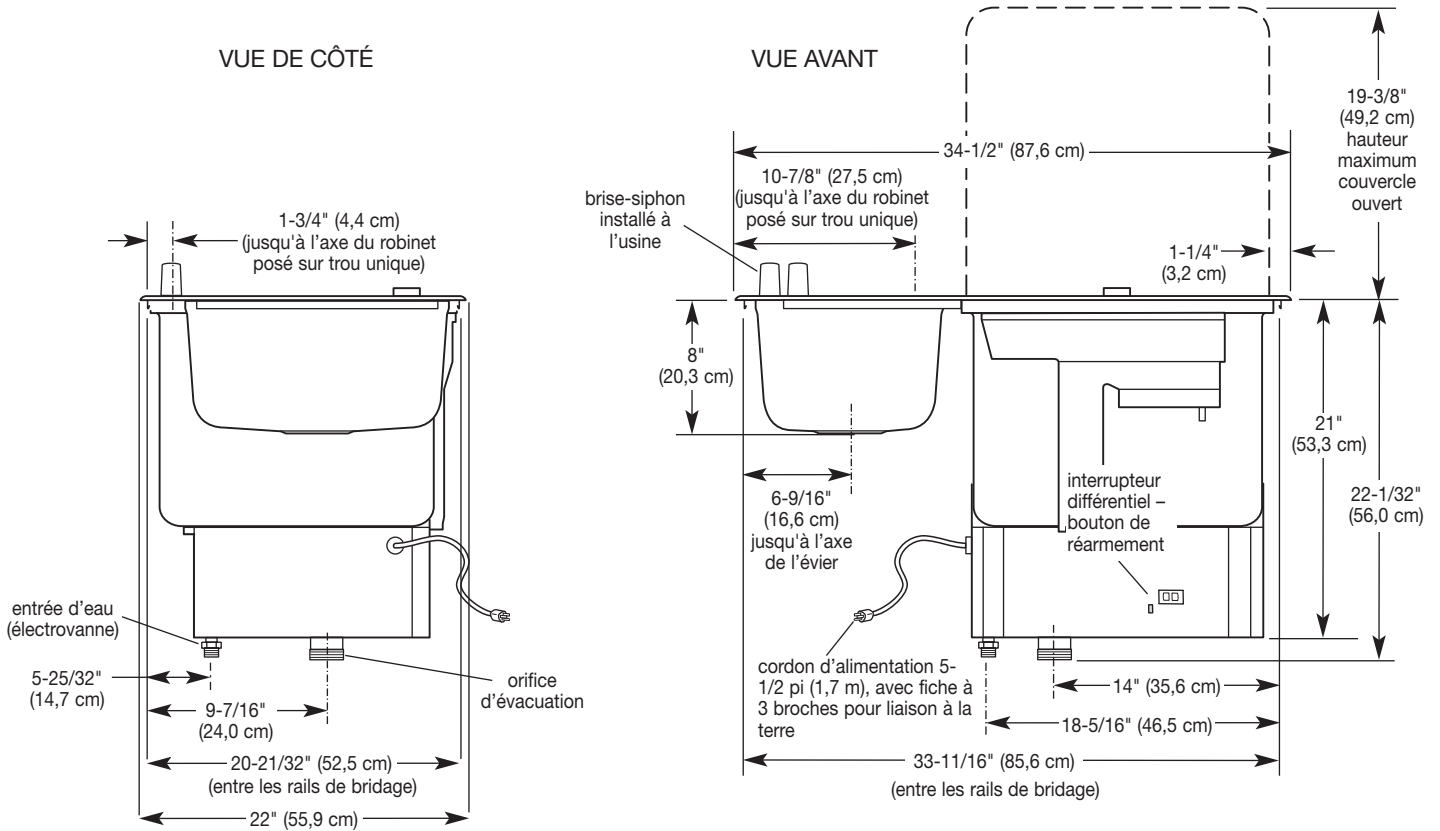
**A** rayon d'arrondi : 2-1/4" (5,7 cm)

**B** rayon : 1" (2,5 cm) – cette valeur doit être respectée pour l'angle arrière droit.

**C** angle arrière droit : Si l'épaisseur du plan de travail est supérieure à 3/4" (1,9 cm), mesurer 3/4" (1,9 cm) vers le bas, et tailler un chanfrein à 45° sur tout l'arrondi.



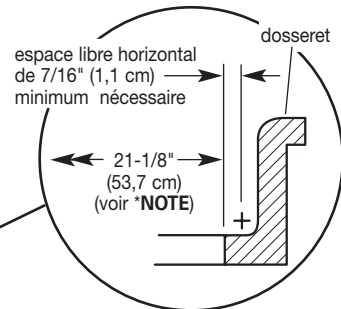
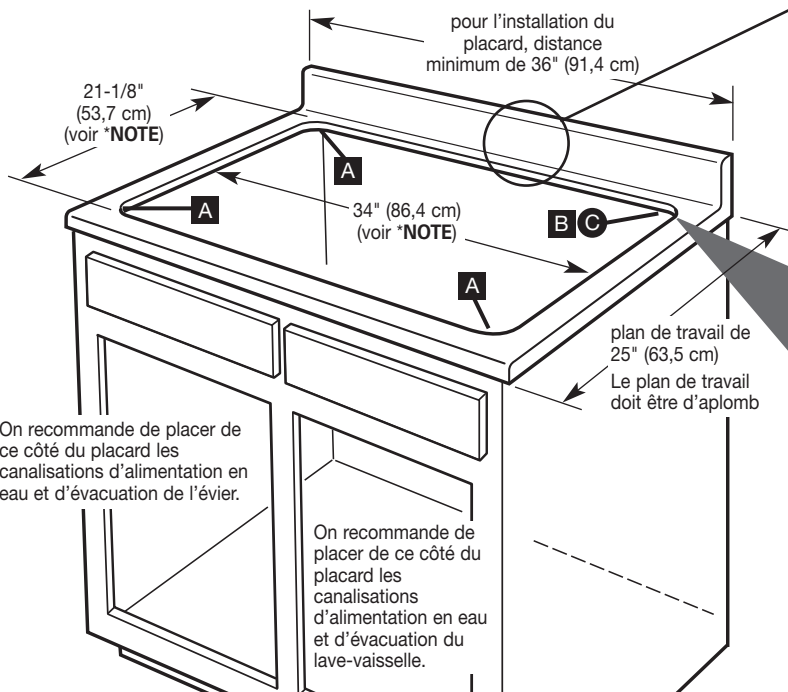
## KIDS36 Dimensions du produit



## KIDS36 Spécifications du placard

**\*NOTE :** On doit respecter scrupuleusement les dimensions indiquées pour le découpage de l'ouverture nécessaire (tolérance de 1/16" [1,6 mm]). Le rebord sur la périphérie du lave-vaisselle dépassera les rives de l'ouverture découpée dans le plan de travail de 7/16" (1,1 cm) à l'avant et à l'arrière, et de 1/4" (6,4 mm) sur les côtés.

- Le placard et le plan de travail doivent être suffisamment robustes pour supporter le poids de l'évier et du lave-vaisselle chargé 400 lb (181,4 kg).

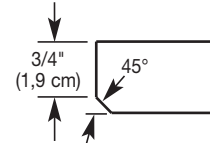


**IMPORTANT :** La spécification de configuration de l'arrondi doit être respectée. Si ce n'est pas le cas, le lave-vaisselle ne passera pas correctement dans l'ouverture.

**A** rayon d'arrondi : 2-1/4" (5,7 cm)

**B** rayon : 1" (2,5 cm) – cette valeur doit être respectée pour l'angle arrière droit.

**C** angle arrière droit : Si l'épaisseur du plan de travail est supérieure à 3/4" (1,9 cm), mesurer 3/4" (1,9 cm) vers le bas, et tailler un chanfrein à 45° sur tout l'arrondi.



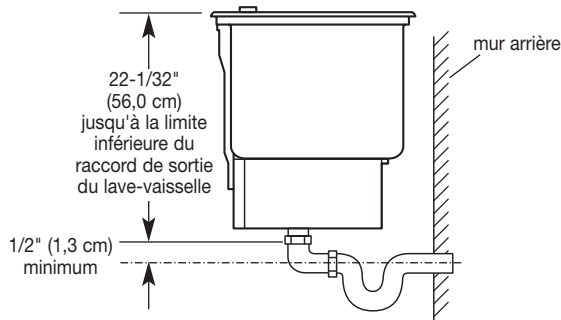


## Spécifications de la canalisation d'évacuation

On doit installer un siphon sur l'orifice de vidage de l'évier et sur l'orifice de décharge du lave-vaisselle.

### Décharge du lave-vaisselle :

Si la canalisation d'évacuation du lave-vaisselle traverse le mur arrière, l'axe de la canalisation d'évacuation doit se trouver à au moins 1/2" (1,3 cm) au-dessous du raccord de décharge du lave-vaisselle; ceci est nécessaire pour une vidange complète de la cuve du lave-vaisselle, sans résidu dans la cuve.



## Spécifications de l'alimentation en eau

### Pour le lave-vaisselle :

- Canalisation d'eau chaude sous pression de 20-120 lb/po<sup>2</sup> (138-827 kPa). 120°F (49°C) au point d'introduction dans le lave-vaisselle.
- On recommande l'emploi de tube de cuivre avec raccord à compression, dia. ext. 3/8".
- Coude à 90° avec filetage mâle 3/8" N.P.T. à une extrémité.

**IMPORTANT :** On ne doit effectuer aucune soudure sur la canalisation à moins de 6" (15,2 cm) de l'électrovanne d'admission d'eau.

### Pour le robinet de l'évier :

- Canalisation d'eau chaude et d'eau froide.
- Tube de cuivre avec raccord à compression compatible avec le robinet spécifique à installer.

## Spécifications électriques

### ⚠ AVERTISSEMENT



#### Risque de choc électrique

- Brancher sur une prise à 3 alvéoles reliée à la terre.**
- Ne pas enlever la broche de liaison à la terre.**
- Ne pas utiliser un adaptateur.**
- Ne pas utiliser un câble de rallonge.**
- Le non-respect de ces instructions peut causer un décès, un incendie ou un choc électrique.**

- Dans le cas de l'emploi d'un conducteur distinct de liaison à la terre lorsque le code le permet, on recommande qu'un électricien qualifié vérifie la qualité de la liaison à la terre.

- Ne pas utiliser une tuyauterie de gaz pour la liaison à la terre.
- En cas d'incertitude quant à la qualité de la liaison à la terre du lave-vaisselle, consulter un électricien qualifié.
- Ne jamais incorporer un fusible dans le circuit de liaison à la terre ou le conducteur neutre.
- Cet appareil doit être alimenté par un circuit de 120 volts, 60 Hz, CA seulement, 15 ou 20 ampères, protégé par fusible (on recommande un disjoncteur ou un fusible temporisé). On recommande que l'appareil soit alimenté par un circuit indépendant.

### Chauffe-eau

Si on envisage l'installation d'un chauffe-eau accessoire (pièce n° 4396282), on doit également disposer d'un autre circuit d'alimentation indépendant 120 volts, 60 Hz, CA seulement, 15 ou 20 ampères, protégé par fusible.

### Broyeur de déchets

Si on envisage l'installation d'un broyeur de déchets, on devra également disposer d'un autre circuit d'alimentation indépendant de 120 volts, 60 Hz, CA seulement, 15 ou 20 ampères, protégé par fusible.

### Méthode recommandée pour la liaison à la terre

Pour la sécurité personnelle des utilisateurs, cet appareil doit être relié à la terre. Cet appareil est doté d'un cordon d'alimentation comportant une fiche de branchement à 3 broches, pour liaison à la terre. Pour minimiser le risque de choc électrique, on doit brancher le cordon d'alimentation sur une prise de courant de même configuration, à 3 alvéoles, relié à la terre conformément aux prescriptions des codes et règlements locaux.

Si une prise de courant de configuration appropriée n'est pas disponible, c'est au propriétaire personnellement qu'incombe la responsabilité et l'obligation de faire installer une prise de courant à 3 alvéoles convenablement reliée à la terre, par un électricien qualifié.

### Câblage direct du lave-vaisselle

### ⚠ AVERTISSEMENT



#### Risque de choc électrique

**Relier le lave-vaisselle à la terre d'une méthode électrique.**

**Brancher le fil relié à la terre au connecteur vert relié à la terre dans la boîte de la borne.**

**Ne pas utiliser un câble de rallonge.**

**Le non-respect de ces instructions peut causer un décès, un incendie ou un choc électrique.**

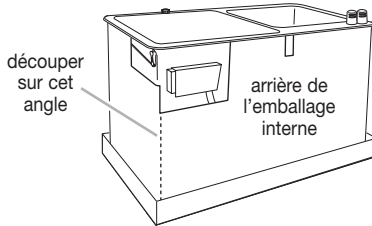
- Utiliser un câble flexible blindé ou à gaine non métallique (de conducteurs de cuivre, avec conducteur de liaison à la terre), qui satisfait les exigences des codes et règlements locaux.
- Utiliser un connecteur de conduit (homologation CSA, U.L. ou C-U.L.), ou un serre-câble (homologation CSA, U.L. ou C-U.L.) pour un câble en cuivre à gaine non métallique.

# INSTRUCTIONS D'INSTALLATION

## Préparation du lave-vaisselle

**IMPORTANT :** Si on utilise un chauffe-eau accessoire (pièce n° 4396282), on doit installer celui-ci d'abord.

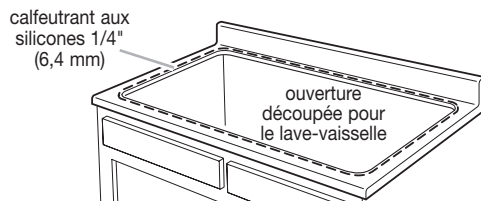
1. Avec un couteau utilitaire, découper l'emballage le long de l'angle arrière (emballage interne).



2. Enlever l'emballage interne. Laisser le lave-vaisselle sur le fond de l'emballage et la palette de bois
3. Installer le robinet (pas inclus). Dans sa configuration de livraison, le lave-vaisselle peut recevoir un robinet qui ne nécessite qu'un seul trou pour l'installation. Pour l'installation d'un robinet nécessitant deux, trois ou quatre trous, le plombier devra percer les trous additionnels conformément aux spécifications du fabricant du robinet.

## Installation du lave-vaisselle

1. Marquer le périmètre de l'ensemble évier/lave-vaisselle sur le plan de travail, et appliquer une coulée de 1/4" (6,4 mm) de calfeutrant aux silicones, à 1/4" (6,4 mm) de la rive sur les côtés de l'ouverture découpée, et à 7/16" (1,1 cm) de la rive avant et de la rive arrière de l'ouverture découpée.



## ⚠ AVERTISSEMENT

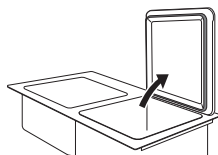
### Risque du poids excessif

Utiliser deux ou plus de personnes pour déplacer et installer le lave-vaisselle.

Le non-respect de cette instruction peut causer une blessure au dos ou d'autre blessure.

2. Insérer le lave-vaisselle dans l'ouverture découpée dans le plan de travail. Veiller à ce que le rebord avant du lave-vaisselle soit parallèle à l'avant du plan de travail.

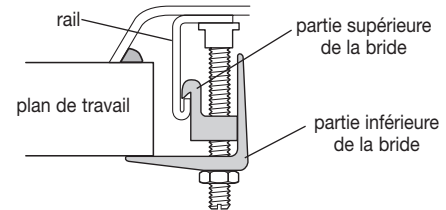
**IMPORTANT :** Pour ne pas risquer d'endommager la charnière de droite, ouvrir le couvercle du lave-vaisselle avant d'insérer le lave-vaisselle dans l'ouverture découpée dans le plan de travail.



3. Enlever immédiatement l'excès de calfeutrant.
4. Installer deux brides à l'avant, à l'arrière et sur le côté gauche de l'ensemble; répartir les brides uniformément et accrocher les brides sur le rail de bridage. Option : Si l'espace le permet, installer également deux brides sur le côté droit.

Pose des brides :

- Accrocher la partie supérieure de la bride sur le rail – utiliser un tournevis à lame plate.
- Utiliser une douille profonde de 7/16" pour bien serrer l'écrou contre la partie inférieure de la bride. Ne pas serrer excessivement.



## Raccordement électrique

Si vous raccordez :

- par câblage direct, utiliser l'option 1
- par cordon d'alimentation électrique, utiliser l'option 2

### Option 1, Raccordement par câblage direct

Si on souhaite que l'appareil soit directement raccordé au réseau d'alimentation électrique, on doit enlever le cordon d'alimentation fourni. Les connexions des conducteurs électriques doivent être réalisées dans la boîte de connexion et satisfaire les exigences des codes et règlements locaux.

Placer le conducteur direct de telle manière qu'il ne puisse toucher la partie inférieure de la cuve du lave-vaisselle, pour éviter sons et vibrations indésirables.

Après l'élimination du cordon d'alimentation, le lave-vaisselle devra être raccordé uniquement avec des conducteurs de cuivre.

1. Déconnecter la source de courant électrique.

## ⚠ AVERTISSEMENT



### Risque de choc électrique

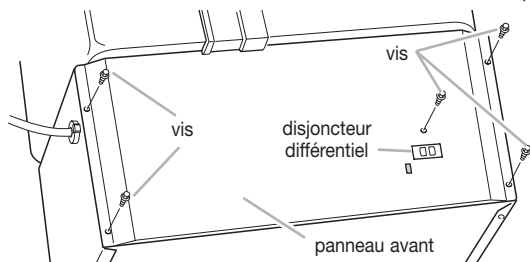
Interrompre l'alimentation électrique avant d'installer le lave-vaisselle (au niveau du tableau de distribution – fusible ou disjoncteur).

Le non-respect de cette instruction peut causer un décès ou un choc électrique.

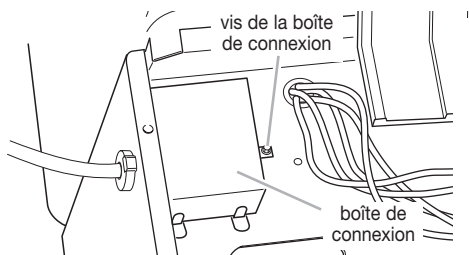
2. Enlever les 5 vis de fixation du panneau avant métallique (2 de

chaque côté, et au-dessus du disjoncteur différentiel), et enlever le panneau.

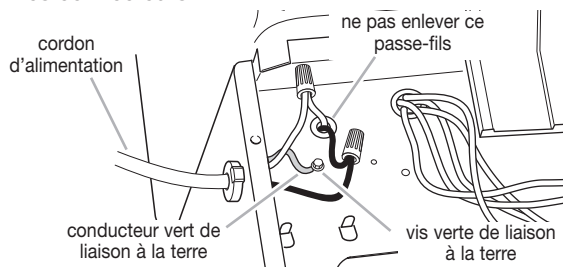
3. Enlever la vis de fixation de la boîte de connexion, et la boîte



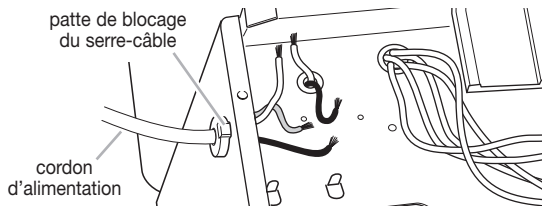
de connexion.



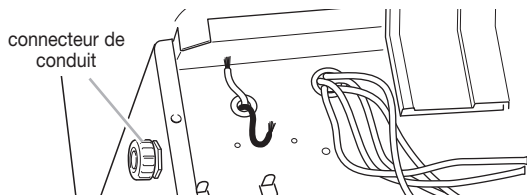
4. Déconnecter le conducteur vert du cordon d'alimentation (sous la vis verte de liaison à la terre).  
 5. Enlever les connecteurs de fils et déconnecter les conducteurs noirs et les conducteurs blancs. Ne pas réutiliser les connecteurs.



6. Utiliser une pince, et serrer sur la patte de blocage du serre-câble qui immobilise le cordon d'alimentation.



7. Enlever le cordon d'alimentation et le serre-câble.  
 8. Installer un connecteur de conduit (homologation CSA, U.L. ou C-U.L.) sur le trou où se trouvait le cordon d'alimentation.



9. Installer un conduit.

## ⚠ AVERTISSEMENT



### Risque de choc électrique

**Relier le lave-vaisselle à la terre d'une méthode électrique.**

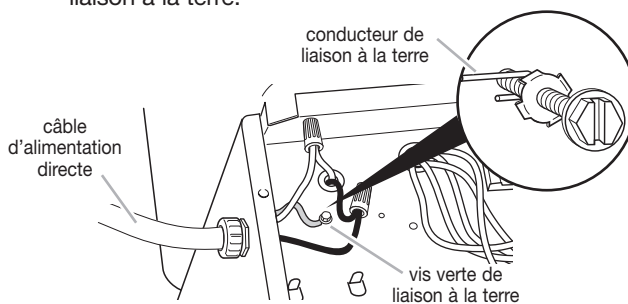
**Brancher le fil relié à la terre au connecteur vert relié à la terre dans la boîte de la borne.**

**Ne pas utiliser un câble de rallonge.**

**Le non-respect de ces instructions peut causer un décès, un incendie ou un choc électrique.**

10. Acheminer le câble d'alimentation directe à travers le conduit; raccorder les conducteurs comme suit :

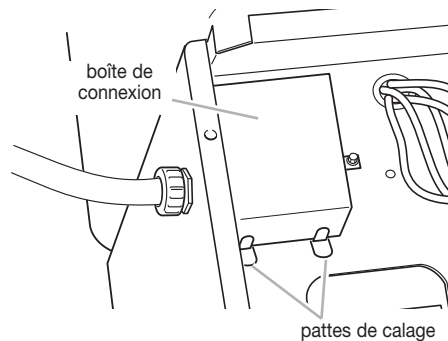
- Former un crochet à l'extrémité du conducteur de liaison à la terre; placer le crochet autour de la vis de liaison à la terre, et sous la rondelle d'étanchéité (enroulement dans sens des aiguilles d'une montre). Bien serrer la vis de liaison à la terre.



- Utiliser des connecteurs de fil de taille appropriée pour raccorder les conducteurs du câble d'alimentation directe aux conducteurs de calibre 16 du câblage du lave-vaisselle. Connecter ensemble les conducteurs noirs et connecter ensemble les conducteurs blancs.

11. Réinstaller la boîte de connexion.

**IMPORTANT :** Les pattes de calage doivent être sous la boîte de connexion – voir l'illustration.



## Option 2, Raccordement par cordon d'alimentation

### ⚠ AVERTISSEMENT



#### Risque de choc électrique

Brancher sur une prise à 3 alvéoles reliée à la terre.

Ne pas enlever la broche de liaison à la terre.

Ne pas utiliser un adaptateur.

Ne pas utiliser un câble de rallonge.

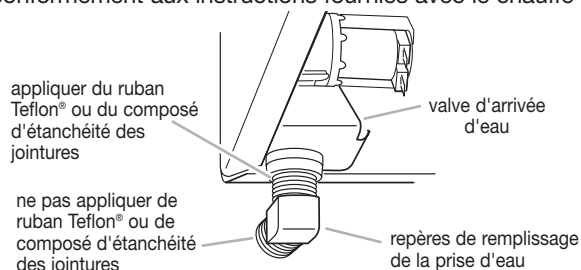
Le non-respect de ces instructions peut causer un décès, un incendie ou un choc électrique.

1. Brancher dans une prise à trois alvéoles reliée à la terre.

## Raccordement à la canalisation d'eau

1. Appliquer du ruban de Teflon® ou un composé d'étanchéité des jointures sur le filetage du raccord à 90°; connecter le raccord sur l'électrovanne d'admission d'eau.
2. Serrer le raccord à 90° à l'aide d'une clé à mollette et orienter le raccord vers la canalisation d'alimentation.

**IMPORTANT :** Dans le cas de l'installation du chauffe-eau accessoire, terminer maintenant l'installation du chauffe-eau conformément aux instructions fournies avec le chauffe-eau.



3. Connecter la canalisation de remplissage du lave-vaisselle.
  - a. Enfiler l'écrou sur le tube de cuivre (environ 1" [2,5 cm]).
  - b. Enfiler la virole sur le tube de cuivre. Ne pas positionner la virole à l'extrémité du tube.
  - c. Insérer le tube dans le raccord, aussi loin que possible.
  - d. Pousser l'écrou et la virole vers l'avant et commencer le vissage de l'écrou sur le filetage du raccord 90°. Le tube de cuivre est facilement déformable; on doit travailler prudemment lors des manipulations et lors de la mise en place.
  - e. Alors que le tube de cuivre a été poussé aussi loin que possible dans le raccord, utiliser une clé plate de 5/8" pour bien serrer l'écrou de compression.
4. Connecter les canalisations d'eau chaude et d'eau froide sur le robinet.
5. Connecter les canalisations d'évacuation sur l'évier et le lave-vaisselle.
6. Ouvrir l'arrivée d'eau vers le lave-vaisselle et le robinet de l'évier. Rechercher les fuites éventuelles.

## Achever l'installation

### Raccordement par cordon d'alimentation

### ⚠ AVERTISSEMENT



#### Risque de choc électrique

Brancher sur une prise à 3 alvéoles reliée à la terre.

Ne pas enlever la broche de liaison à la terre.

Ne pas utiliser un adaptateur.

Ne pas utiliser un câble de rallonge.

Le non-respect de ces instructions peut causer un décès, un incendie ou un choc électrique.

### Raccordement par câblage direct

### ⚠ AVERTISSEMENT



#### Risque de choc électrique

Relier le lave-vaisselle à la terre d'une méthode électrique.

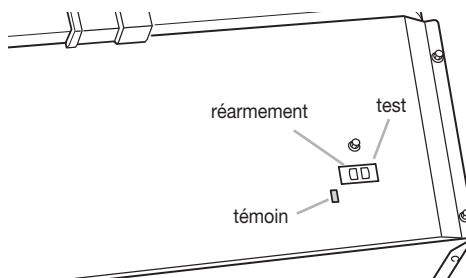
Brancher le fil relié à la terre au connecteur vert relié à la terre dans la boîte de la borne.

Ne pas utiliser un câble de rallonge.

Le non-respect de ces instructions peut causer un décès, un incendie ou un choc électrique.

1. Reconnecter la source de courant électrique.

**IMPORTANT :** On doit exécuter les étapes suivantes avant d'utiliser le lave-vaisselle, pour le test et l'activation du disjoncteur différentiel.
2. Appuyer sur le bouton de réarmement du disjoncteur différentiel. Le témoin doit s'allumer.



3. Appuyer sur le bouton de test du disjoncteur différentiel. Le témoin doit s'éteindre.
4. Appuyer sur le bouton de réarmement. Le témoin doit s'allumer de nouveau.

Si ce test du fonctionnement du disjoncteur différentiel n'est pas un succès, ne pas utiliser le lave-vaisselle. Contacter le centre de service-client KitchenAid au 1-800-422-1230 (sans frais) ou, au Canada, le 1-800-461-5681 pour obtenir de l'aide.

---

## Contrôle du fonctionnement

---

1. Consulter le Guide d'utilisation et d'entretien fourni avec le lave-vaisselle; exécuter un programme de lavage complet.
2. Si le chauffe-eau accessoire a été installé, attendre environ 45 minutes avant de lancer l'exécution du programme de lavage suivant, pour permettre le chauffage de l'eau dans le chauffe-eau (voir les instructions d'installation et le Guide d'utilisation et d'entretien fournis avec le chauffe-eau).
3. Durant la première opération de chauffage du chauffe-eau, il est normal qu'une petite quantité d'eau soit déchargée dans le lave-vaisselle.
4. Rechercher les fuites éventuelles.

## NOTES

## NOTES

8564766

® Marque déposée/™ Marque de commerce de KitchenAid, U.S.A., KitchenAid Canada porteur de licence au Canada

® Teflon est une marque déposée de E.I. Du Pont de Nemours and Company.

© 2004 Tous droits réservés.

Imprimé aux É.-U.  
09/2004